

12942A

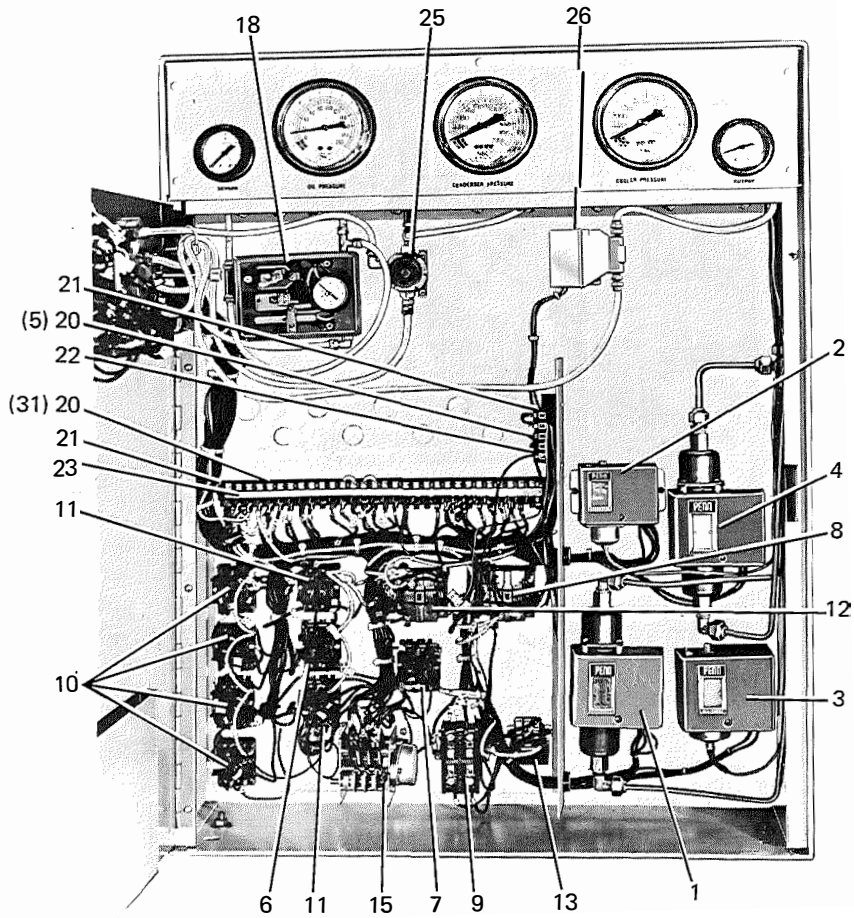


FIG. 7 — CONTROLS (TURBINE DRIVE-MANUAL HOT GAS BY-PASS)
PART NO. 366-56226

YORK DIVISION BORG-WARNER

12943A

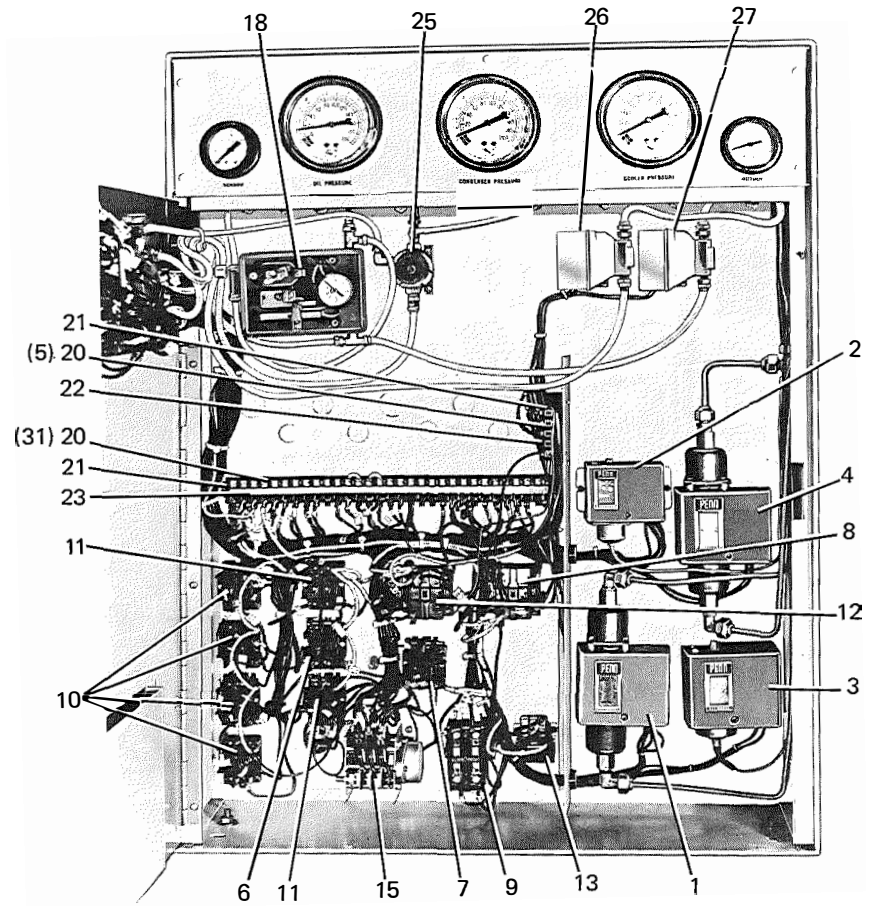


FIG. 8 — CONTROLS (MOTOR DRIVE-AUTOMATIC HOT GAS BY-PASS)
PART NO. 366-56225