

PRV / VGD POSITION SENSOR KIT (371 05520 001)

TABLE 29 - PRV / VGD POSITION SENSOR KIT

| ITEM | DESCRIPTION | PART NUMBER | QUANTITY | FIGURE |
|------|---------------------------------|---------------|----------|--------|
| 1 | Cover, PRV Position Sensor | 071 02012 002 | 1 | 56 |
| 2 | Bracket, Support Upper PRV | 371 02012 209 | 1 | 56 |
| 3 | Screw, Tapping Thread Forming | 021 13757 000 | 2 | 56 |
| 4 | POT, 2500 Ohms 2 Watt | 025 32570 000 | 1 | 56 |
| 5 | Bushing, Strain Relief Straight | 025 09080 000 | 1 | 56 |
| 6 | Cable, PRV Sensor VSD | 571 02012 005 | 1 | 56 |
| 7 | Coupling, Shaft, Flexible | 029 24196 000 | 1 | 56 |
| 8 | Screw, Cap Hex Soc Hd #10 | 021 18674 000 | 2 | 56 |
| 9 | Lockwasher, Hel Spg #10 | 032 08292 000 | 2 | 56 |
| 10 | Strap, Cable T&B L4-18-9-M | 025 18167 000 | 1 | 56 |
| 11 | Cap, PRV Sensor | 071 02012 006 | 1 | 56 |
| 12 | Shaft, PRV Position Sensor | 071 02012 007 | 1 | 56 |
| 13 | Screw, Washer Assembly | 021 18487 000 | 2 | 56 |

NOTE: Items with an * are NOT represented.

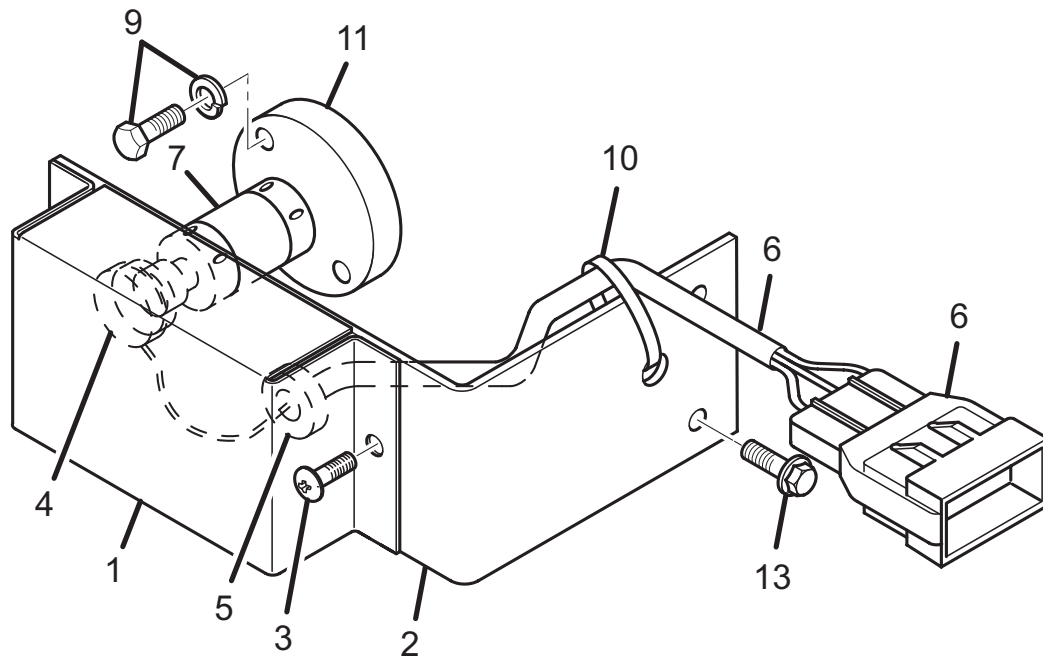


FIGURE 56 - PRV / VGD POSITION SENSOR KIT

LD14879