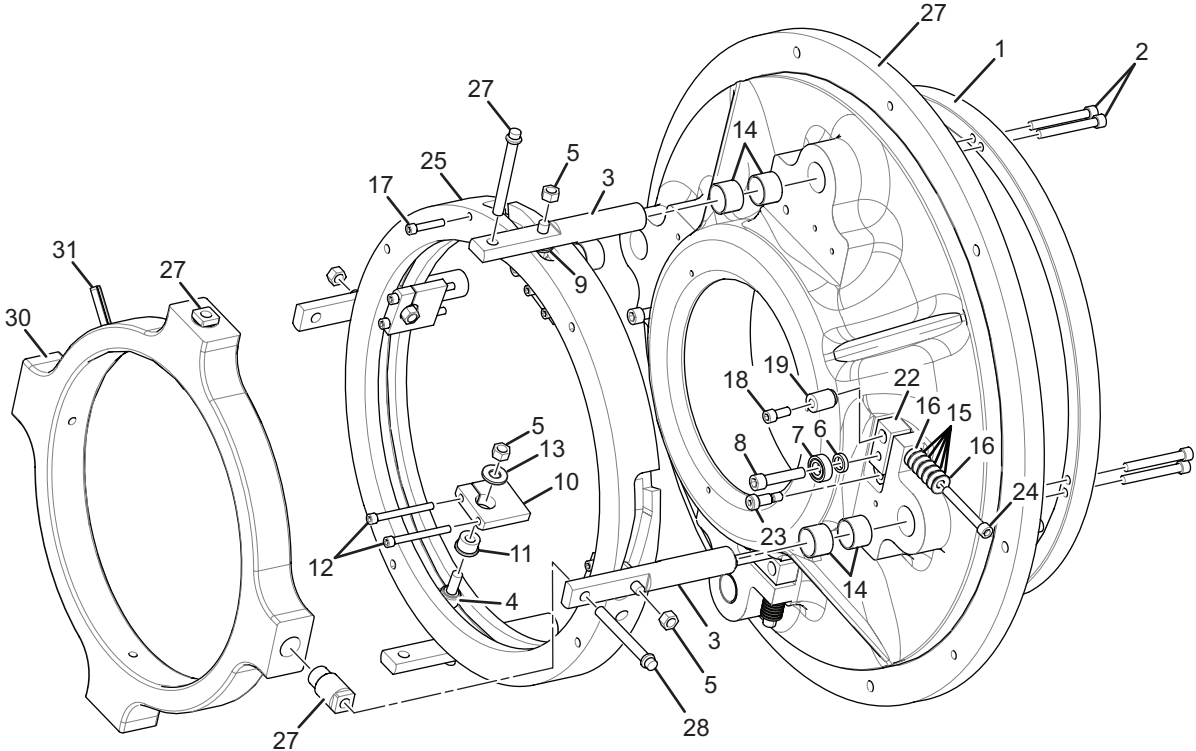


364 51517 000



364 53107 000

LD17250

**FIGURE 54 - VARIABLE GEOMETRY DIFFUSER (K7)**