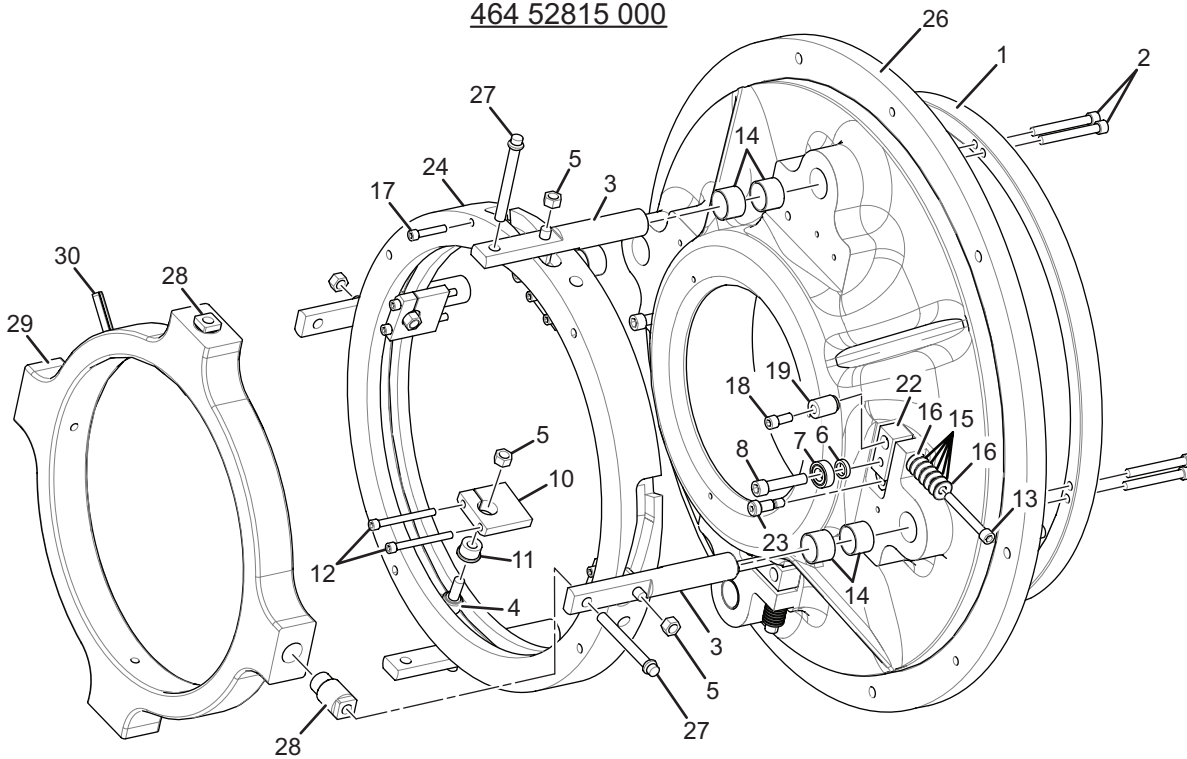


464 52814 000  
464 52815 000



364 53218 000  
364 53219 000

LD17249

**FIGURE 48 - VARIABLE GEOMETRY DIFFUSER (K3/K4)**