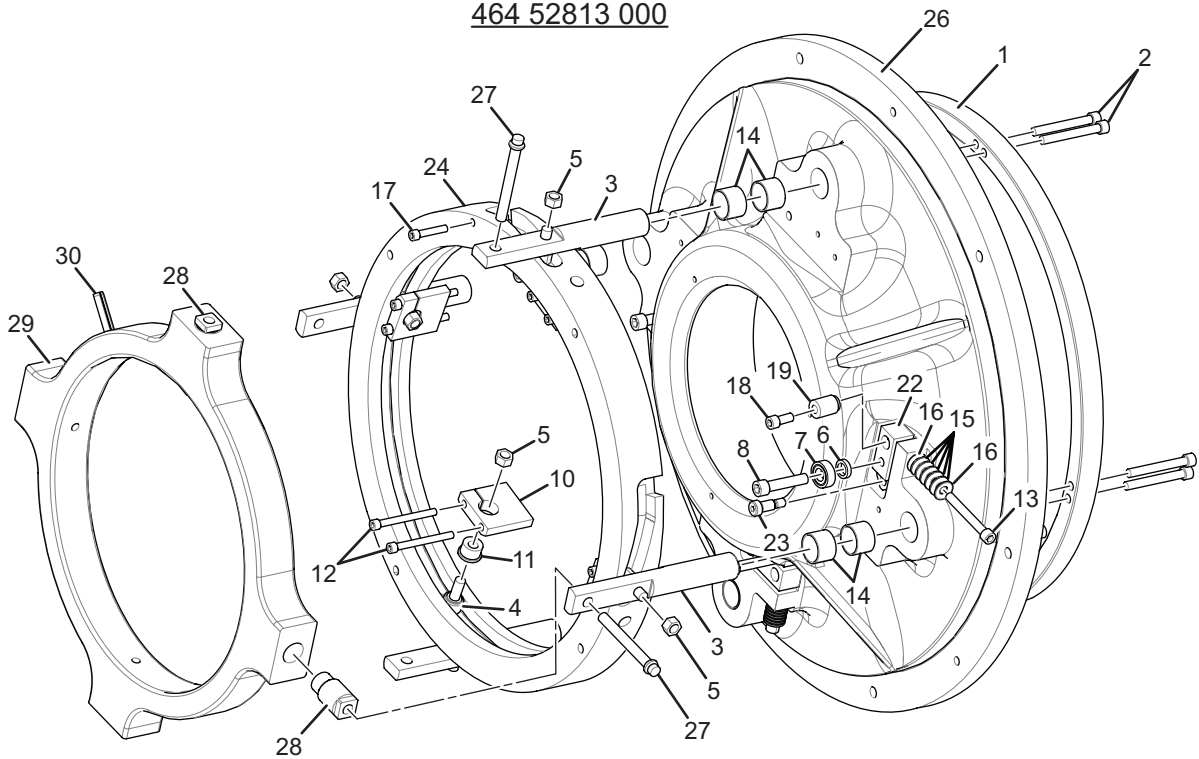


464 52812 000
464 52813 000



364 53356 000
364 53361 000

LD17248

FIGURE 42 - VARIABLE GEOMETRY DIFFUSER (K1/K2)