

TABLE 8 - YD OIL PUMP HOUSING (MOD B-C) (CONT'D)

ITEM	DESCRIPTION	PART NUMBER	QUANTITY	FIGURE
61	Connr, Swivel 3/8 Od Tube	023 22121 000	2	14
62	Connr, 3/8 Od Tube Male	023 22121 000	2	14
63	Seal, Washer O Ring	021 31652 000	2	14
64	O-Ring, Neo1 00.364id .070thk M	028 12961 012	2	14
68	Hose, Refrig Orfs 3/4" X 35"	026 43093 035	1	14
69	Hose, Refrig Orfs 3/4" X 28"	026 43093 028	1	14
70	Transmitter, with Conduit Box and Connector	325 42383 002	1	14
70A	Connector, for Transmitter at Conduit Box	025 40232 000	1	14
71	Gasket, Seal 1 Od X 7/8 Id X	028 04836 000	1	14
100	Valve, Relief 7/8-14unf-2a (J1/K1, J2/K2)	022 10077 000	1	14
100	Plug, Hex Hd 7/8 (J3/K3, J4/K4, J5, J7/K7)	023 18961 000	1	14
100A	O-Ring, Neo1 00.755id .097thk M	028 12961 005	1	14

NOTE: Items with an * are NOT represented.

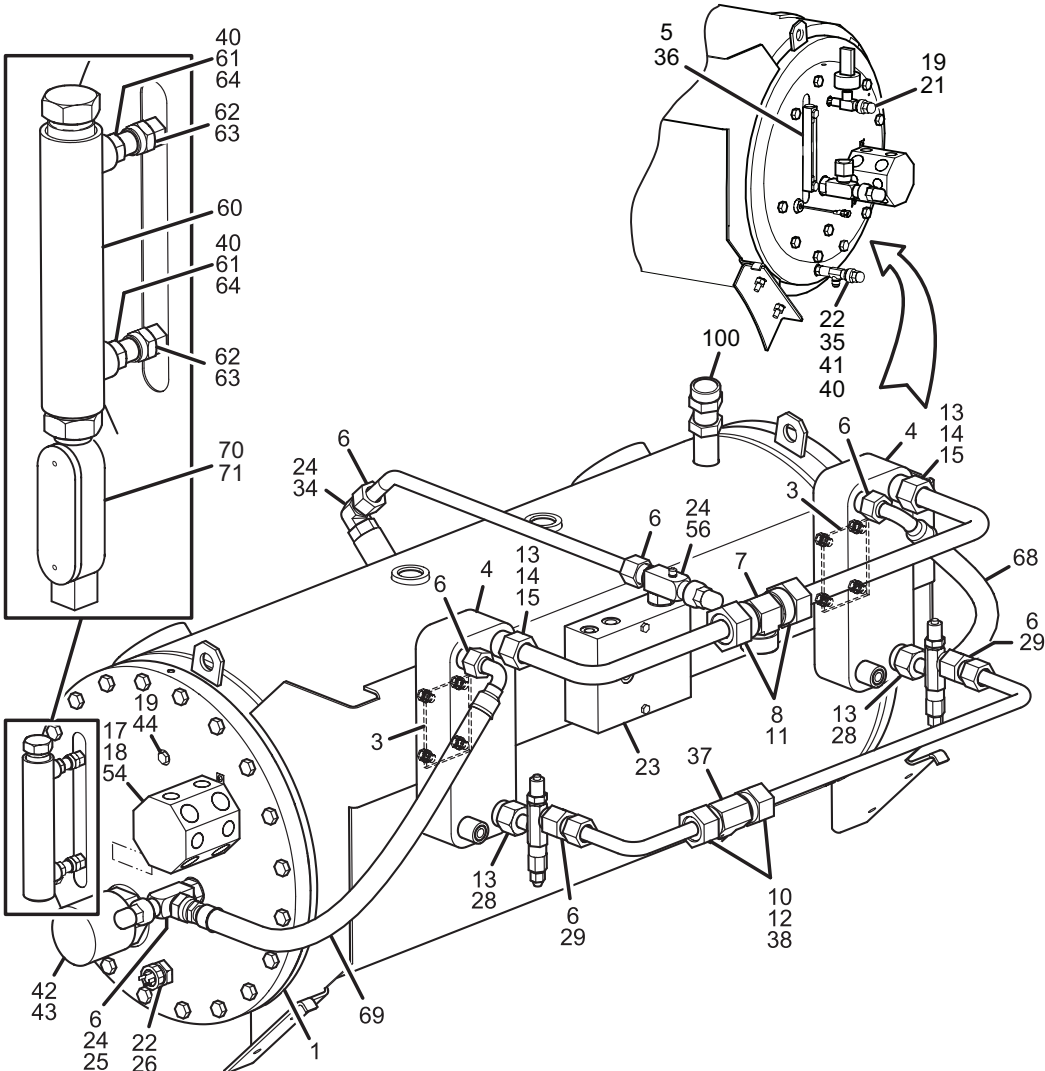


FIGURE 14 - YD OIL PUMP HOUSING (MOD B-C)

LD09100