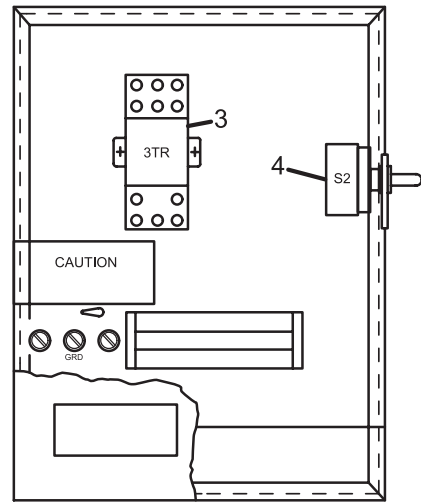


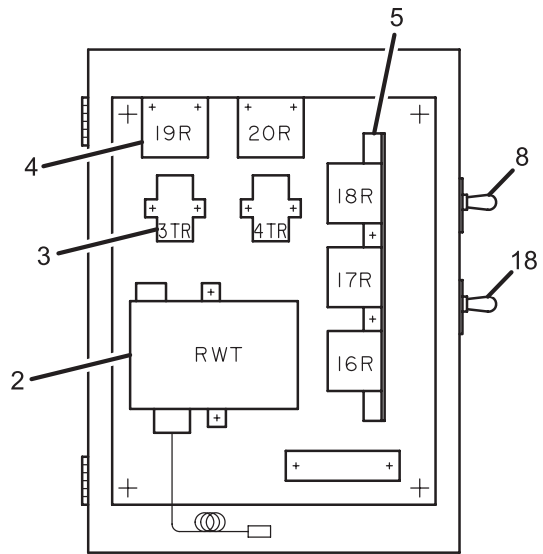
## MULTIPLE UNIT SEQUENCE KIT CONTROLS

TWO UNIT			
ITEM	DESCRIPTION	PART NUMBER	QUANTITY
1 <sup>1</sup>	Controller, RWT	025-15154-000	1
3	Relay, Time Delay	024-13711-000	1
4	Switch, Toggle	024-14057-000	1

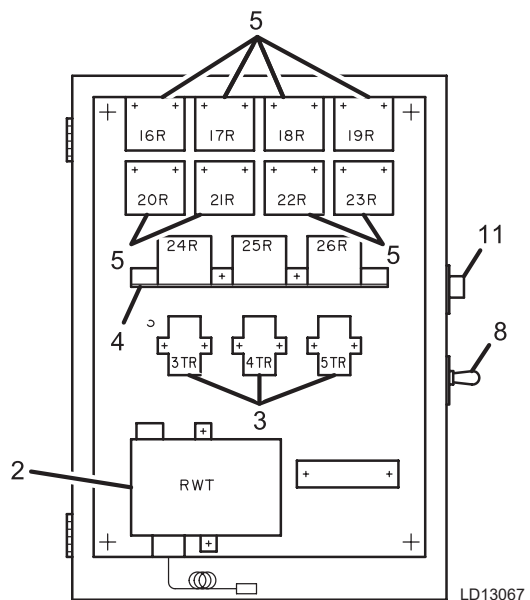
1 Not Shown. Remote Mounted.



THREE UNIT			
ITEM	DESCRIPTION	PART NUMBER	QUANTITY
2	Control, Temp 2 Stage	025-10215-000	1
3	Relay, TD 115V	024-30497-000	2
4	Relay, Control 120V Coil	024-14519-000	2
5	Relay Assy.	375-21706-000	1
8	Switch, Toggle 3 Position	024-17026-000	1
18	Switch, Toggle	024-11736-000	1



FOUR UNIT			
ITEM	DESCRIPTION	PART NUMBER	QUANTITY
2	Control, Temp. 3-Stage	025-10214-000	1
3	Relay, TD 115V	024-30497-000	3
4	Relay Assy.	375-21706-000	1
5	Relay, Control 120V Coil	024-14519-000	8
8	Switch, Toggle	024-11736-000	1
11	Switch, Rotary 4 Ckt 15A	024-20494-000	1



LD13067