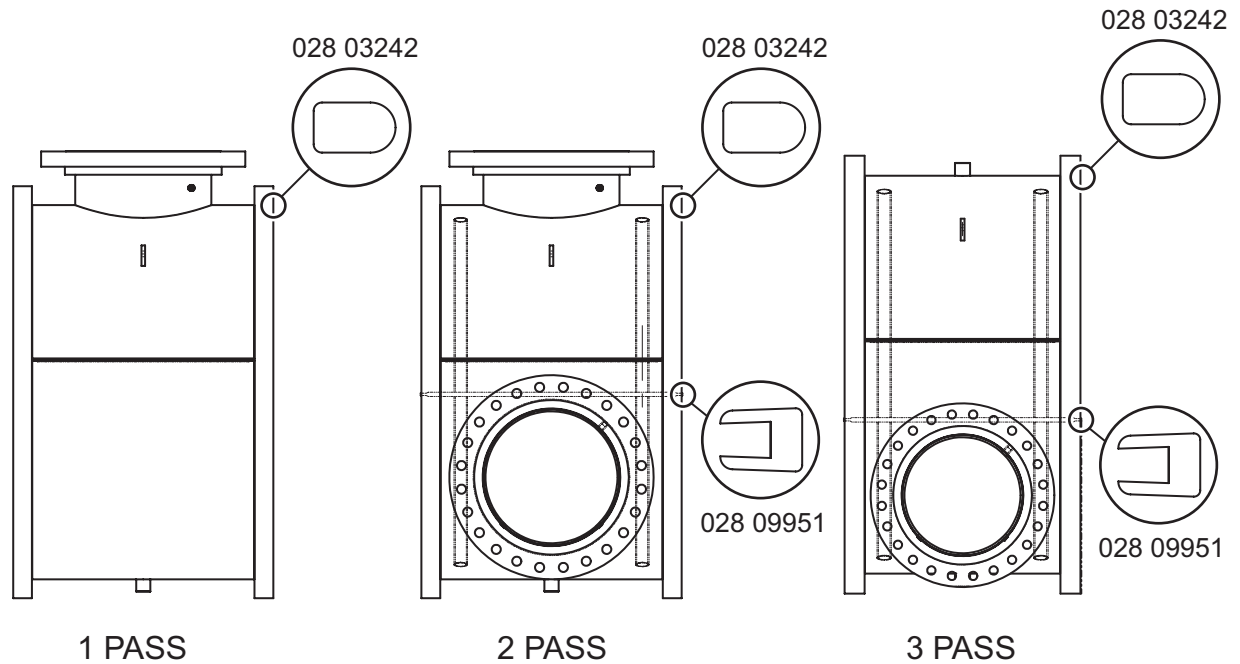


**TABLE 56 - CONDENSER 300# MARINE WATERBOX (MOD A)**

SHELL	1 PASS		2 PASS		3 PASS	
	GASKET P/N	FEET REQ'D	GASKET P/N	FEET REQ'D	GASKET P/N	FEET REQ'D
XA	028 03242	66'	028 09951 028 03242	10' 49.5'	028 09951 028 03242	19.5' 66'
XB						
XC						
XD						
YA	028 03242	66'	028 09951 028 03242	10' 49.5'	028 09951 028 03242	19.5' 66'
YB						
YC						
YD						
ZA	028 03242	66'	028 09951 028 03242	11' 52.5'	028 09951 028 03242	12' 38'
ZB						
ZC						
ZD						
AA	028 03242	66'	028 09951 028 03242	11' 52.5'	028 09951 028 03242	12' 38'
AB						
AC						
AD						

**NOTE:**

When ordering Gasket Material specify length required by replacing the -000 with either -025 for 25', -050 for 50', or -100 for 100'.



**FIGURE 69 - CONDENSER 300# MARINE WATERBOX (MOD A)**