

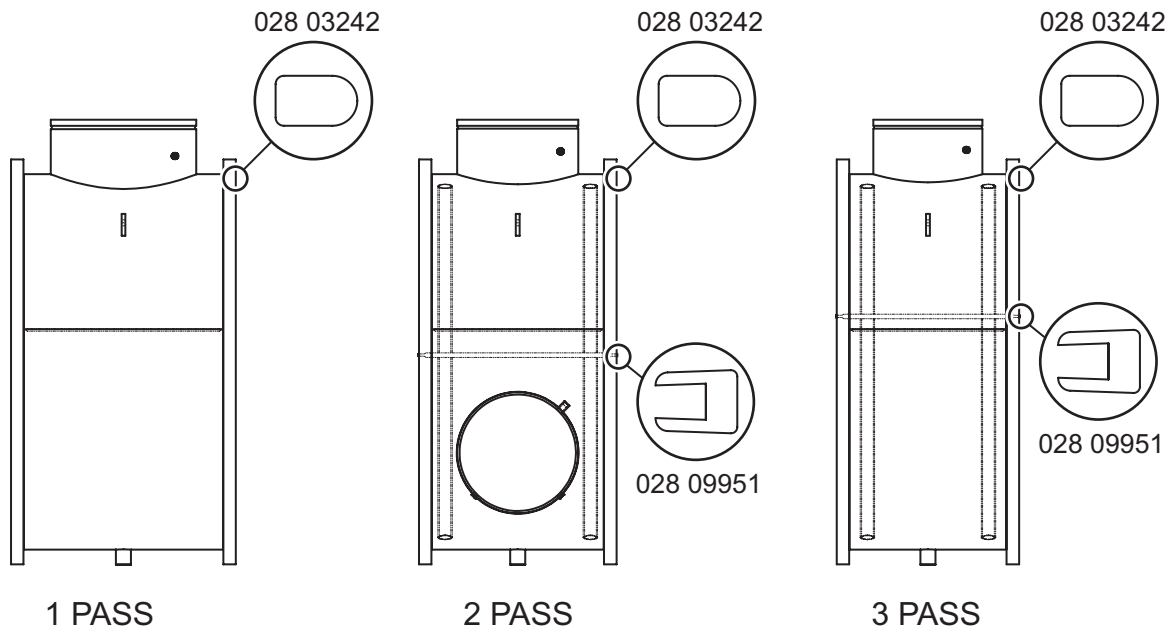
CONDENSER MARINE WATERBOX

TABLE 55 - CONDENSER 150# MARINE WATERBOX (MOD A)

SHELL	1 PASS		2 PASS		3 PASS	
	GASKET P/N	FEET REQ'D	GASKET P/N	FEET REQ'D	GASKET P/N	FEET REQ'D
XA	028 03242	66'	028 09951 028 03242	10' 49.5'	028 09951 028 03242	20' 66'
XB						
XC						
XD						
YA	028 03242	66'	028 09951 028 03242	10' 49.5'	028 09951 028 03242	20' 66'
YB						
YC						
YD						
ZA	028 03242	66'	028 09951 028 03242	12' 57'	028 09951 028 03242	24' 76'
ZB						
ZC						
ZD						
AA	028 03242	66'	028 09951 028 03242	12' 57'	028 09951 028 03242	24' 76'
AB						
AC						
AD						

NOTE:

When ordering Gasket Material specify length required by replacing the -000 with either -025 for 25', -050 for 50', or -100 for 100'.



LD15386

FIGURE 68 - CONDENSER 150# MARINE WATERBOX (MOD A)