

EVAPORATOR MARINE WATERBOX

TABLE 53 - EVAPORATOR 150# MARINE WATERBOX (MOD A)

SHELL	1 PASS		2 PASS		3 PASS	
	GASKET P/N	FEET REQ'D	GASKET P/N	FEET REQ'D	GASKET P/N	FEET REQ'D
XF	028 03242	76'	028 09951	12'	028 09951	23.5'
XH			028 03242	57'	028 03242	76'
YF	028 03242	76'	028 09951	12'	028 09951	23.5'
YG			028 03242	57'	028 03242	76'
YH						
ZF	028 03242	76'	028 09951	12'	028 09951	227'
ZG			028 03242	57'	028 03242	86'
ZH						
AF	028 03242	76'	028 09951	12'	028 09951	227'
AG			028 03242	57'	028 03242	86'
AH						

NOTE:

When ordering Gasket Material specify length required by replacing the -000 with either -025 for 25', -050 for 50', or -100 for 100'.

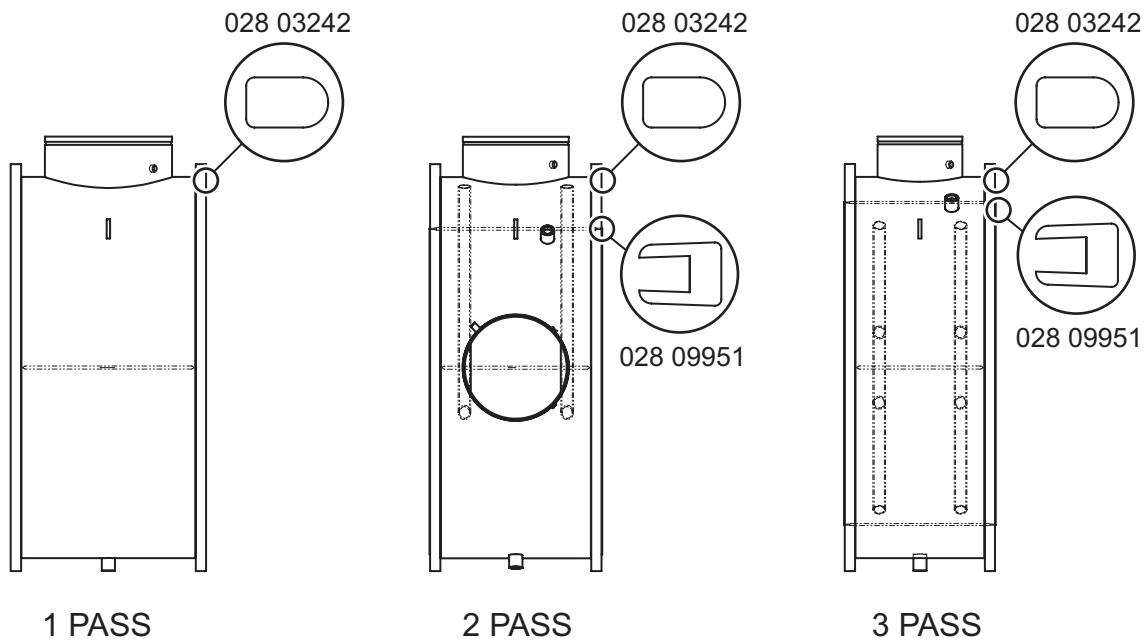


FIGURE 66 - EVAPORATOR 150# MARINE WATERBOX (MOD A)

LD15383