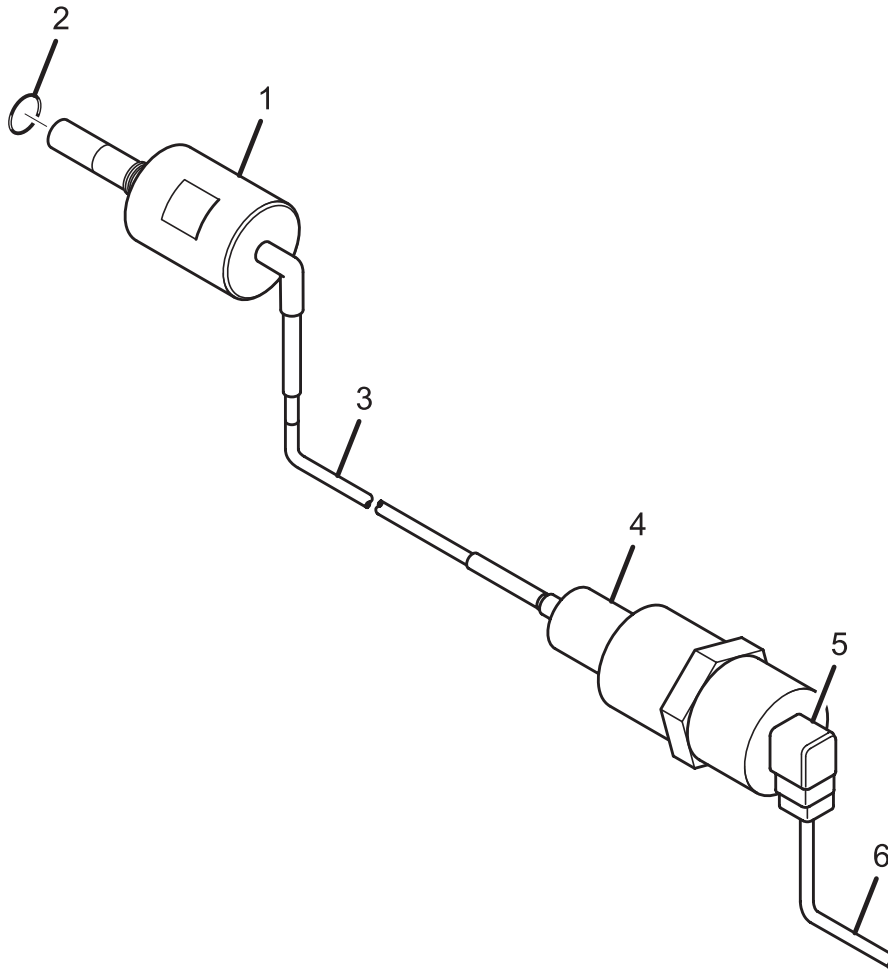


## PROXIMITY PROBE KIT (364 51806 000)

**TABLE 28 - PROXIMITY PROBE KIT**

ITEM	DESCRIPTION	PART NUMBER	QUANTITY	FIGURE
1	Probe, Proximity Tip	025 40496 000	1	55
2	O-Ring, Neo1 00.301id .064thk M	028 12961 021	1	55
3	Cable,Connecting	025 40496 003	1	55
4	Electronics, Module with PVC Bushing	025 40496 002	1	55
5	Connector, Din	025 37805 000	1	55
6	Cable,Connecting (to Control Panel)	025 28701 003	1	55
7	Instructions, Assembly	035 21458 000	1	*

NOTE: Items with an \* are NOT represented.



**FIGURE 55 - PROXIMITY PROBE KIT**

LD15184