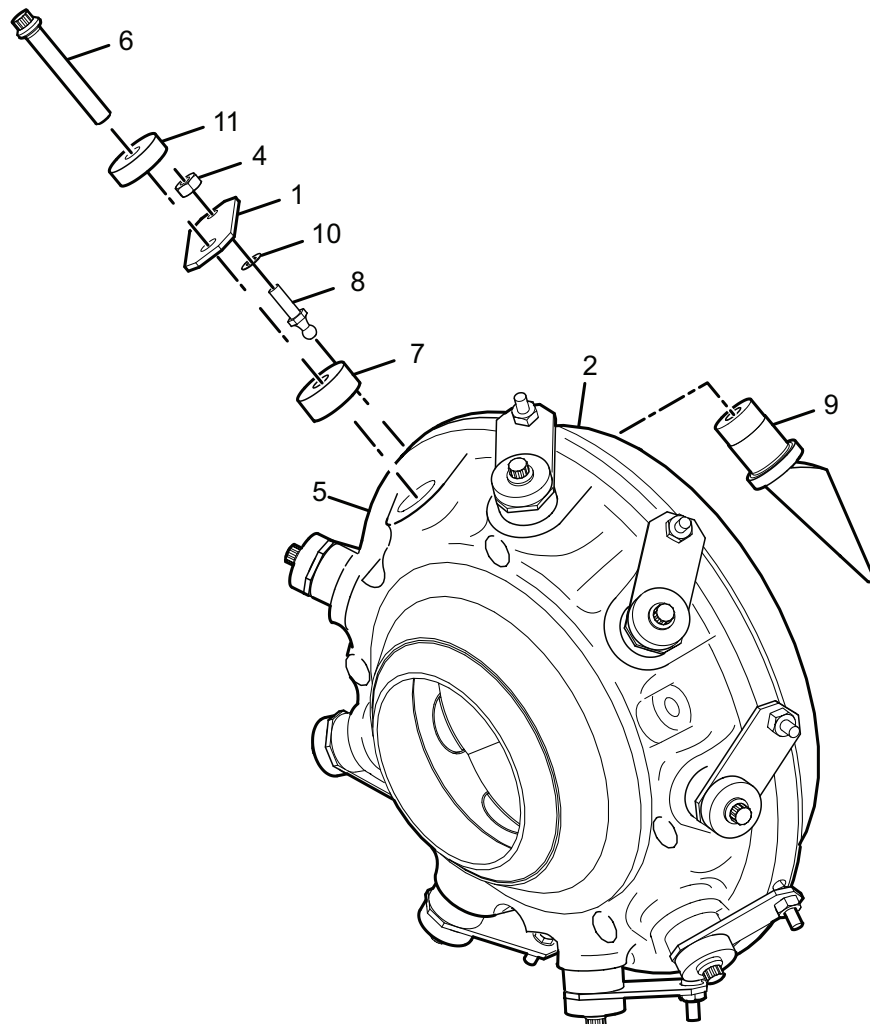


PRE-ROTATION DEVICE

TABLE 11 - PRE-ROTATION DEVICE (J1/J2)

ITEM	DESCRIPTION	PART NUMBER	QUANTITY	FIGURE
-	Complete PRV Device (J1)	364 51450 001	-	-
-	Complete PRV Device (J2)	364 51450 002	-	-
1	Arm, Vane PRV	064 47952 000	9	21
2	Housing, PRV (J1)	064 50678 000	1	21
2	Housing, PRV (J2)	064 50679 000	1	21
4	Nut, Self Lock 1/4 - 28unf	021 12943 000	9	21
5	Ring, Vane Driving	064 50370 000	1	21
6	Screw, Cap 12 Pt Hd 3/8	021 17245 000	9	21
7	Spacer, Arm PRV	064 49712 000	9	21
8	Stud, Ball 1/4 -28 Unf	029 15924 000	9	21
9	Vane, Pre-Rotation	064 51413 000	9	21
10	Washer, Plain Lt 17/64 Id 1/2	021 11973 000	18	21
11	Washer, Spl 25/64 Id	064 09289 000	9	21

NOTE: Items with an * are NOT represented.


FIGURE 21 - PRE-ROTATIONAL DEVICE (J1/J2)

LD08907