

COMPRESSOR — MODELS MTH/LTH 67 OR 76 Emergency Oil Reservoir

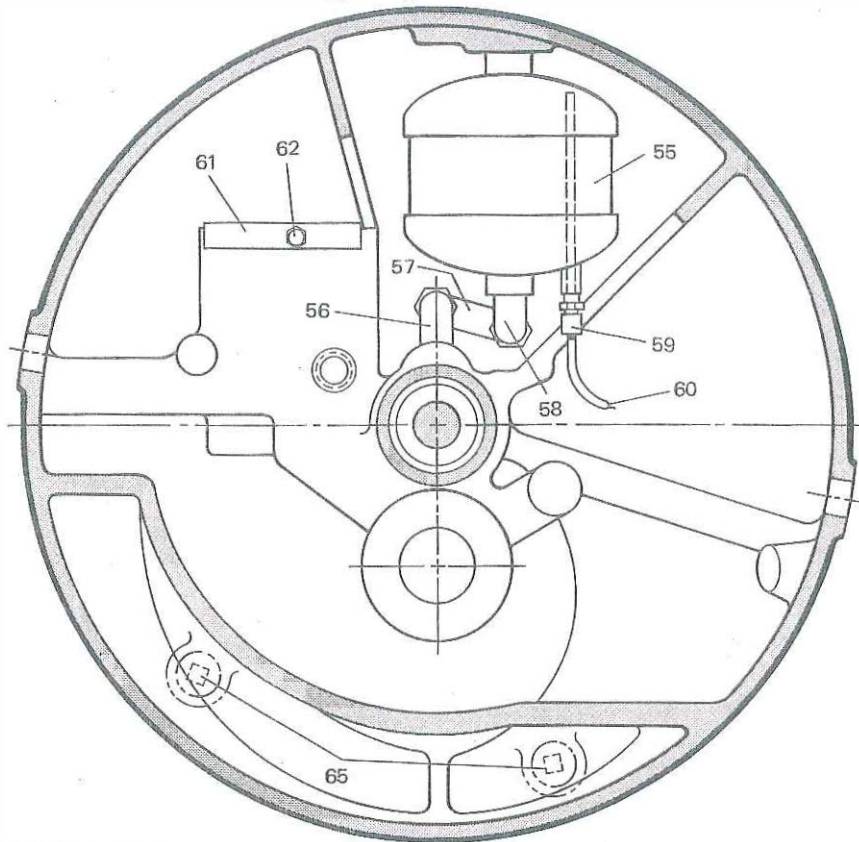


FIG. 3 — EMERGENCY OIL RESERVOIR — MODELS MTH/LTH 67 OR 76

COMPRESSOR — MODELS MTH/LTH 85 AND 95

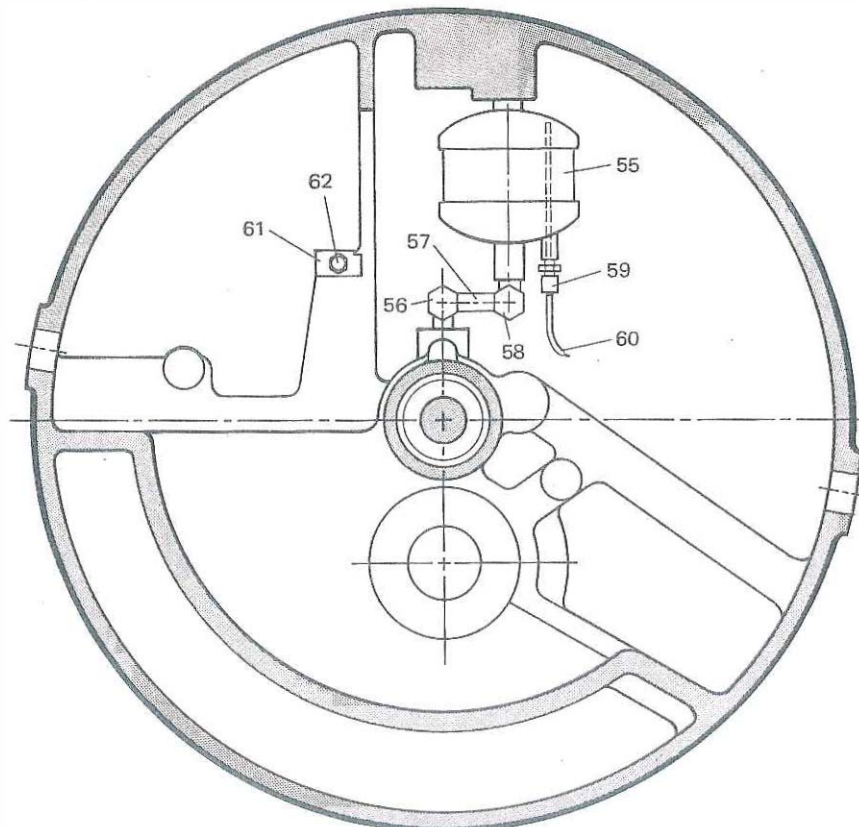


FIG. 4 — EMERGENCY OIL RESERVOIR — MODELS MTH/LTH 85 OR 95