

FIG. 4 - TURBOPAK SYSTEM DETAILS

### STANDARD ISOLATION MOUNT

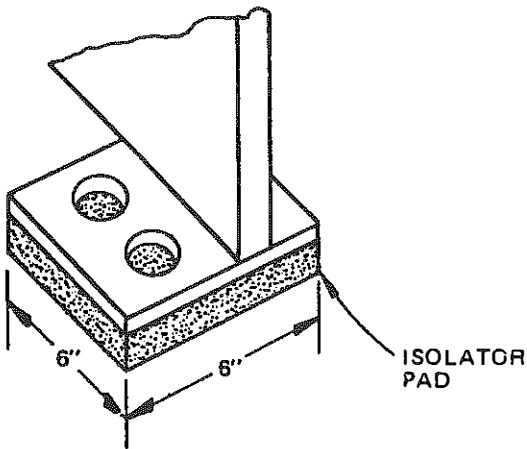


FIG. 5 - (STANDARD) VIBRATION ISOLATION MOUNTS - PART NO. 028-10519

### OPTIONAL SPRING ISOLATORS

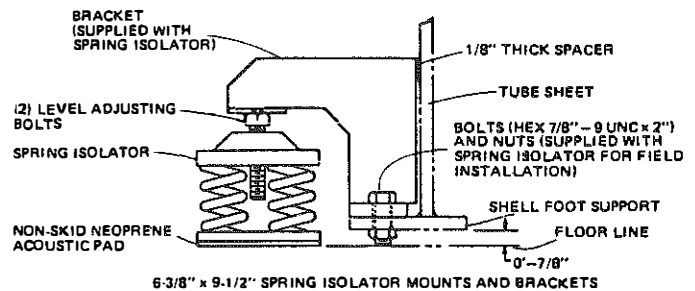


FIG. 6 - OPTIONAL SPRING ISOLATORS - PART NO. 029-18114-002