

FLOW CONTROLLER

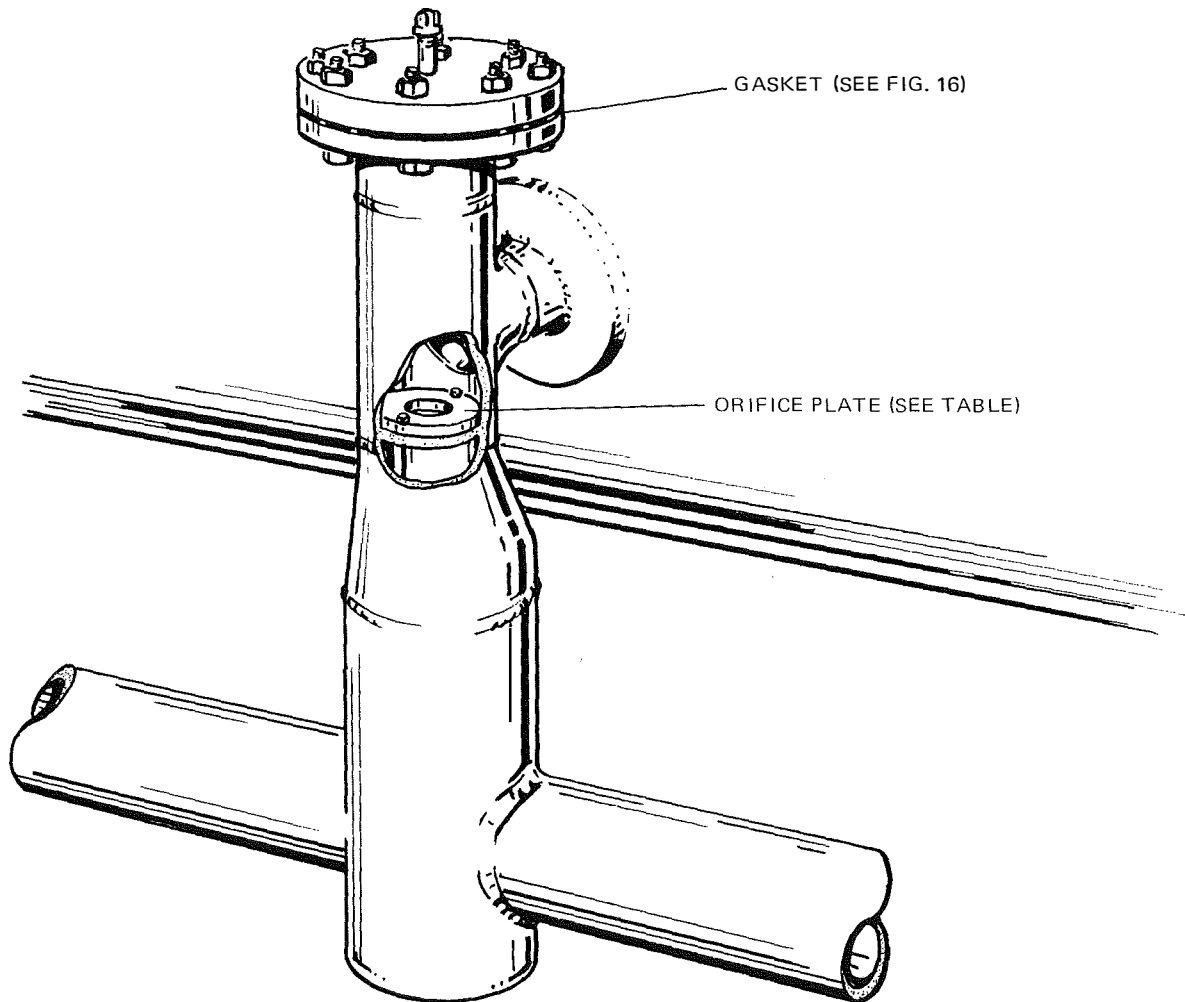


FIG. 17— FLOW CONTROLLER WITH ORIFICE PLATE

ORIFICE PLATE (STANDARD SELECTION)

Model OT	Code	Orifice Dia.	Part No.
670	A108	1.500	066-27702-002
720, 770	A110	1.625	066-27702-003
820, 820C, 880, 880C, 920	A112	1.750	066-27702-004
980, 1030	A114	1.875	066-27702-005