

AUXILIARY OIL PUMPS

DESCRIPTION	PART NO.	REPLACEMENT SEAL ASSEMBLY
Counter-Clockwise type	026-17734	026-17840
Clockwise Type		
Bare Pump	026-17733	
Pump Assembly (Pump & Motor)		026-17840
115/230V-60 Cycle	026-17735	
230/460V-60 Cycle	026-17737	
110/220V-50 Cycle	026-17739	
220/280V-50 Cycle	026-17741	

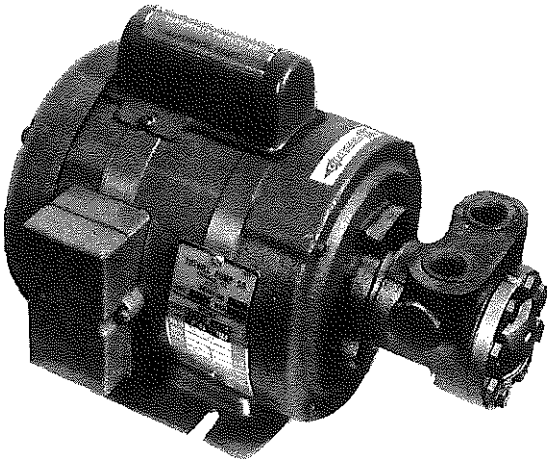
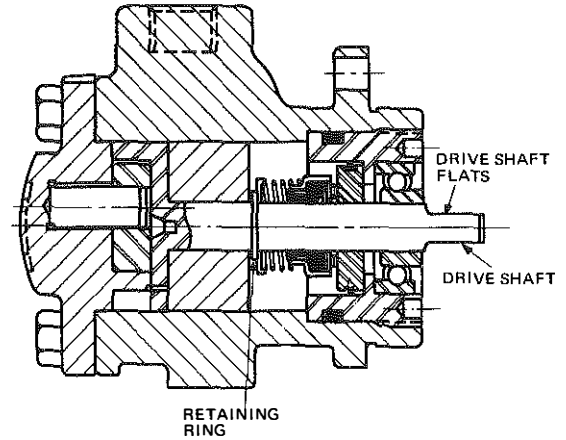


FIG. 40— AUX. OIL PUMP



1LPF-7010

FIG. 41— REPLACEMENT SEAL ASSEMBLY

TABLE 5— OIL HEATERS

MODEL	DESCRIPTION	PART NO.	QUAN.
LTD 53	600 W —	025-16340	1
LTD 59	450 W —	025-09432	1
LTD 67	600W —	025-13941	2
LTD 76			
LTD 85	600 W —	025-13941	2
LTD 95			
LTD 108	600W —	025-16340	1
LTD 120		025-13941	1

TABLE 6— OIL HEATER THERMOSTAT

MODEL	PART NO.	QUAN.
LTD 53	025-16593	1
LTD 59		
LTD 67		
LTD 76		
LTD 85		
LTD 95		
LTD 108		
LTD 120		
LTD 126		

TABLE 7— OIL LEVEL FLOAT SWITCHES

MODEL	PART NO.	QUAN.
LTD 53	025-16523	1
LTD 59		
LTD 67		
LTD 76		
LTD 85		
LTD 95		
LTD 108		
LTD 120		
LTD 126		

TABLE 8— HIGH OIL TEMP. CONTROL (HOT)

MODEL	PART NO.	QUAN.
LTD 53	025-15381-003	1
LTD 59		
LTD 67		
LTD 76		
LTD 85		
LTD 95		
LTD 108		
LTD 120		
LTD 126		