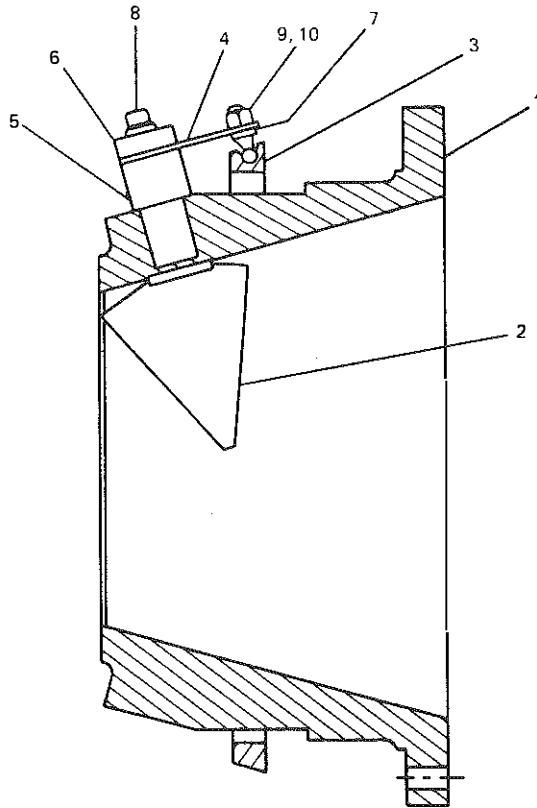


PREROTATION VANE HOUSING

COMPRESSOR — MODELS LTD53, LTD59, LTD67, LTD76, LTD85 AND LTD95



ITEM	PART DESCRIPTION	MODELS					
		LTD53		LTD59		LTD67	
		PART NO.	QUAN.	PART NO.	QUAN.	PART NO.	QUAN.
1	HOUSING, PRE-ROTATION	064-14519	1	064-14520	1	064-13486	1
2	VANE, PRE-ROTATION	064-09285	9	064-09285	9	064-10618	9
3	RING, VANE DRIVING	064-09286	1	064-09286	1	064-10815	1
4	ARM, VANE	064-09291	9	064-09291	9	064-10818	9
5	WASHER	064-09290	9	064-09290	9	064-10819	9
6	WASHER — SPECIAL	064-09289	9	064-09289	9	064-09289	9
7	WASHER	021-11973	10	021-11973	10	021-11973	10
8	SCREW, CAP 12PT. HD. 3/8—24UNF x 2 LG.	021-11742	9	021-11742	9	021-11956	9
9	SCREW, BALL	029-07017	9	029-07017	9	029-07017	9
10	NUT, HEX, 1/4—28UNF 33	021-12943	9	021-12943	9	021-12943	9

ITEM	PART DESCRIPTION	MODELS					
		LTD76		LTD85		LTD95	
		PART NO.	QUAN.	PART NO.	QUAN.	PART NO.	QUAN.
1	HOUSING, PRE-ROTATION	064-13485	1	064-13481	1	064-13482	1
2	VANE, PRE-ROTATION	064-10618	9	064-08822	8	064-08822	8
3	RING, VANE DRIVING	064-10815	1	064-08813	1	064-08813	1
4	ARM, VANE	064-10818	9	064-08814	8	064-08814	8
5	WASHER	064-10819	9	064-09061	8	064-09061	8
6	WASHER — SPECIAL	064-09289	9	064-08815	8	064-08815	8
7	WASHER	021-11973	10	021-11973	10	021-11973	10
8	SCREW, CAP 12PT. HD. 3/8—24UNF x 2 LG.	021-11956	9	021-11743	8	021-11743	8
9	SCREW, BALL	029-07017	9	029-07017	8	029-07017	8
10	NUT, HEX, 1/4—28UNF 33	021-12943	9	021-12943	8	021-12943	8

FIG. 36— PREROTATION VANE ASSEMBLY LTD53 THRU LTD95