

COMPRESSOR – LTD108, LTD120, AND LTD126

TABLE 4— VARIABLE PARTS

ITEM NO.	PART DESCRIPTION	60 & 50 CYCLE					
		LTD108		LTD120		LTD126	
		PART NO.	QUAN.	PART NO.	QUAN.	PART NO.	QUAN.
1	ROTOR SCROLL	064-22908	1	064-22907	1	064-27577	1
2	PREROTATION VANE ASSEMBLY	364-33707	1	364-33708	1	364-33709	1
3	NOZZLE PLATE BASE	064-22786	1	064-22787	1	064-27580	1
4	RETAINER, NOZZLE BASE PLATE	064-22974	1	064-22963	1	064-27582	1
5	GASKET RETAINER TO NOZZLE BASE PLATE	*064-23002	1	*064-23010	1	*064-23010	1
6	IMPELLER SEAL RING	064-22714	1	064-22715	1	064-27583	1
7	FLAT SPRING WASHER	064-22690	1	064-22661	1	064-27578	1
9	DIFFUSER PLATE	064-22327	1	064-22332	1	064-27576	1
49	OIL SEPARATOR PLATE	064-22869	1	064-22950	1	064-22950	1
50	RING SEAL IMPELLER	064-12378-005	1	064-12378-006	1	064-12378-006	1
51	FLAT SPRING WASHER	064-12438-009	1	064-12438-008	1	064-12438-008	1
52	RETAINING RING, INTERNAL	064-22709	1	064-22711	1	064-22711	1
54	IMPELLER	064-22910	1	064-22909	1	064-27584	1
58	BASE PLATE NOZZLE GASKET	*064-22983	1	*064-23009	1	064-27581	1

*PARTS INCLUDED IN FIELD REPLACEMENT KIT – MODELS LTD108, LTD120 & LTD126 – PART NO. 464-29630

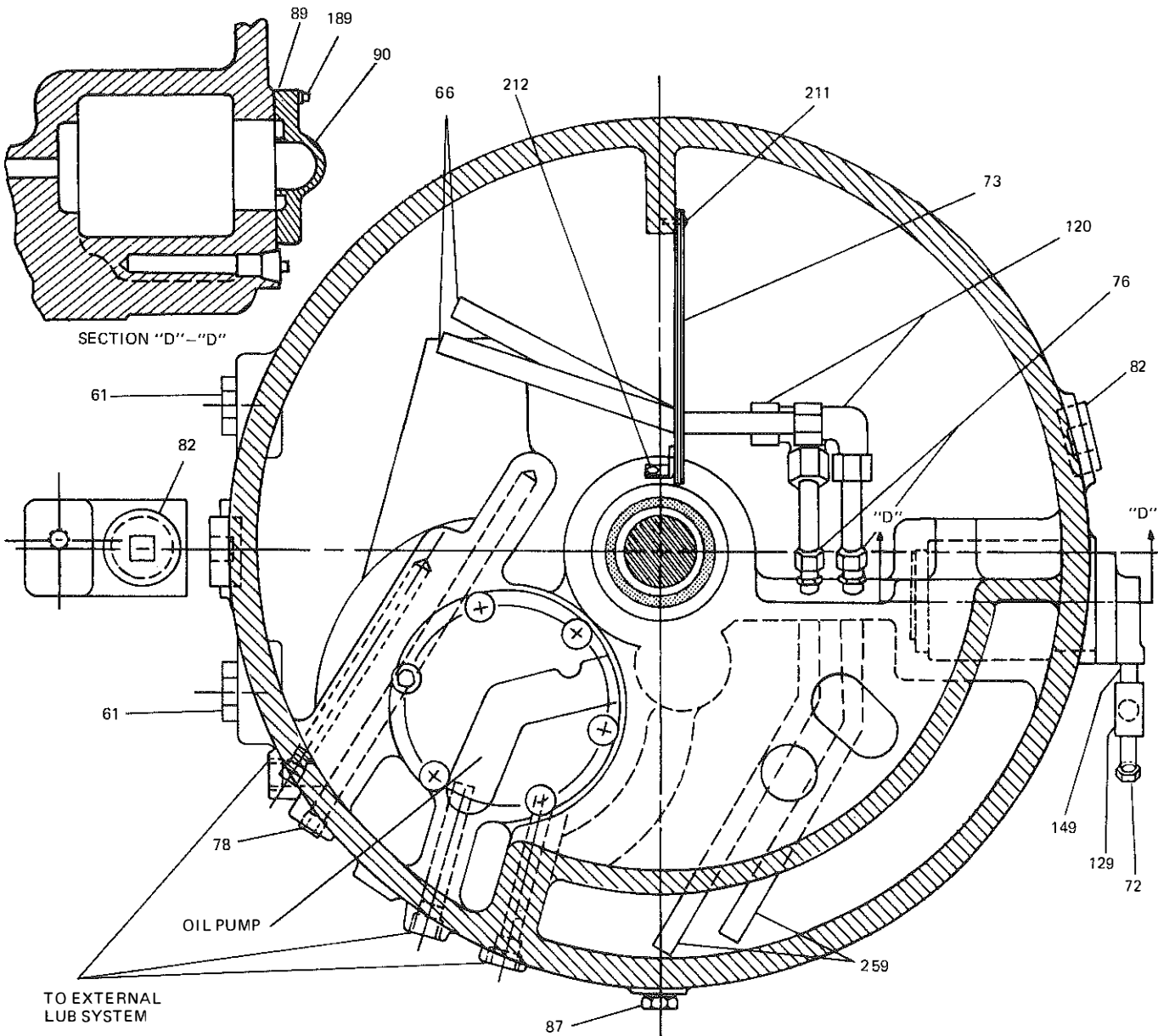


FIG. 29— SECTION "C"—"C" – SHOWING INTERNAL PARTS