

COMPRESSORS—MODELS LTD85 AND LTD95

TABLE 3—VARIABLE PARTS

ITEM NO.	PART DESCRIPTION	YORK FLEX, DISK COUPLING				YORK FLEX. COUPLING			
		(60 & 50 CYCLE)				(50 CYCLE)			
		MODEL LTD85		MODEL LTD95		MODEL LTD95		MODEL LTD85	
		PART NO.	QUAN.	PART NO.	QUAN.	PART NO.	QUAN.	PART NO.	QUAN.
2	PREROTATION VANE ASSEMBLY	364-15255	1	364-15266	1	364-15266	1	364-15255	1
3	NOZZLE BASE PLATE	064-21643	1	064-21644	1	064-21644	1	064-21643	1
6	IMPELLER SEAL RING	064-21418	1	064-21417	1	064-21417	1	064-21418	1
7	FLAT SPRING WASHER	064-05683	1	064-05656	1	064-05656	1	064-05683	1
8	RETAINING RING — IMPELLER RING SEAL	064-05680	1	064-05588	1	064-05588	1	064-05680	1
9	DIFFUSER PLATE	064-12139	1	064-12103	1	064-12103	1	064-12139	1
18	DRIVE SHAFT	064-14971	1	064-14971	1	064-24520	1	064-24520	1
25	THRUST COLLAR	064-21475	1	064-27569	1	064-27569	1	064-27569	1
53	MAIN SHAFT	064-21479	1	064-27568	1	064-27568	1	064-27568	1
54	IMPELLER	064-11968	1	064-11969	1	064-11969	1	064-11968	1

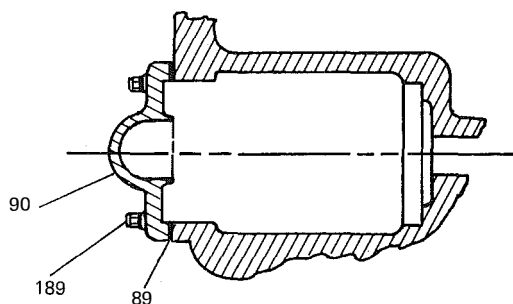


FIG. 21— FILTER

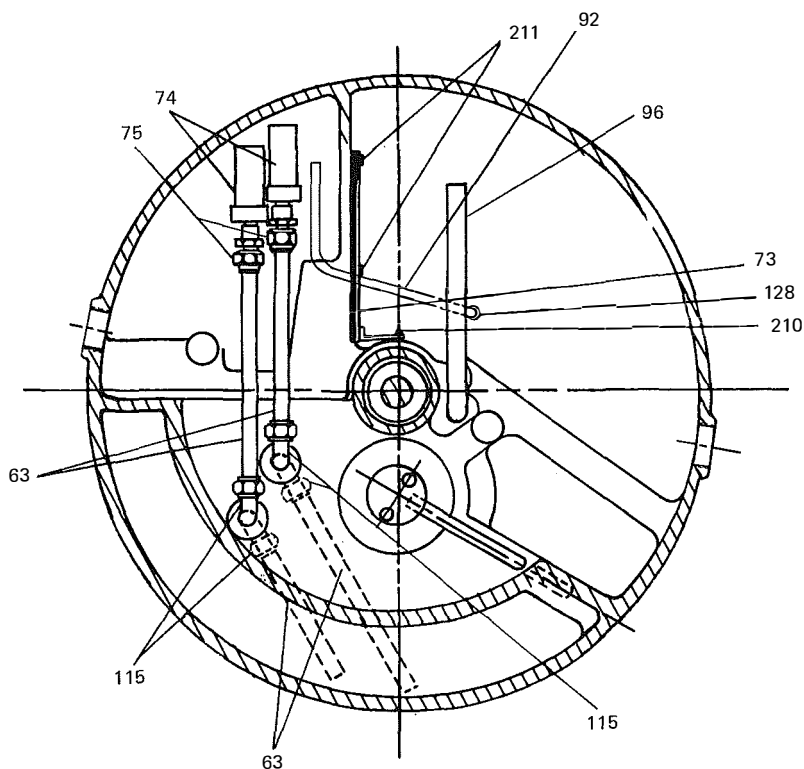


FIG. 22— SECTION "A"—"A", SHOWING OIL PUMP AND INTERNAL PARTS