

COMPRESSORS—MODELS LTD67 AND LTD76

TABLE 2— VARIABLE PARTS

ITEM NO.	PART DESCRIPTION	60 AND 50 CYCLE			
		MODEL 67		MODEL 76	
		PART NO.	QUAN.	PART NO.	QUAN.
2	PREROTATION VANE ASSEMBLY	364-15250	1	364-15249	1
3	NOZZLE BASE PLATE	064-20409	1	064-20410	1
6	IMPELLER SEAL RING	064-20430	1	064-20431	1
7	FLAT SPRING WASHER	064-06242	1	064-05741	1
8	RETAINING RING, IMPELLER SEAL, INTERNAL	064-06243	1	064-05742	1
9	DEFUSER PLATE	064-11810	1	064-11638	1
54	IMPELLER	064-11297	1	064-11127	1

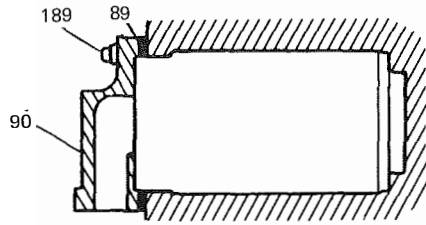
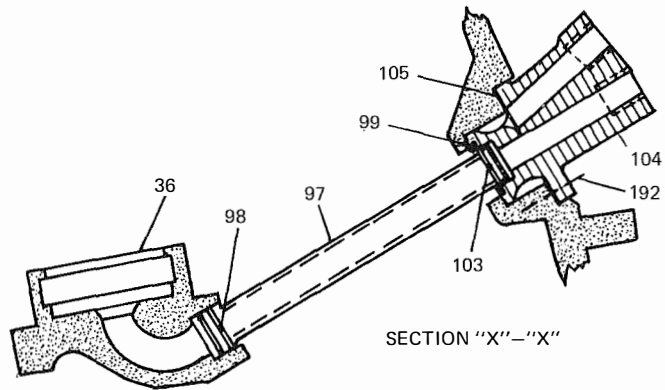


FIG. 12— FILTER



SECTION "X"—"X"

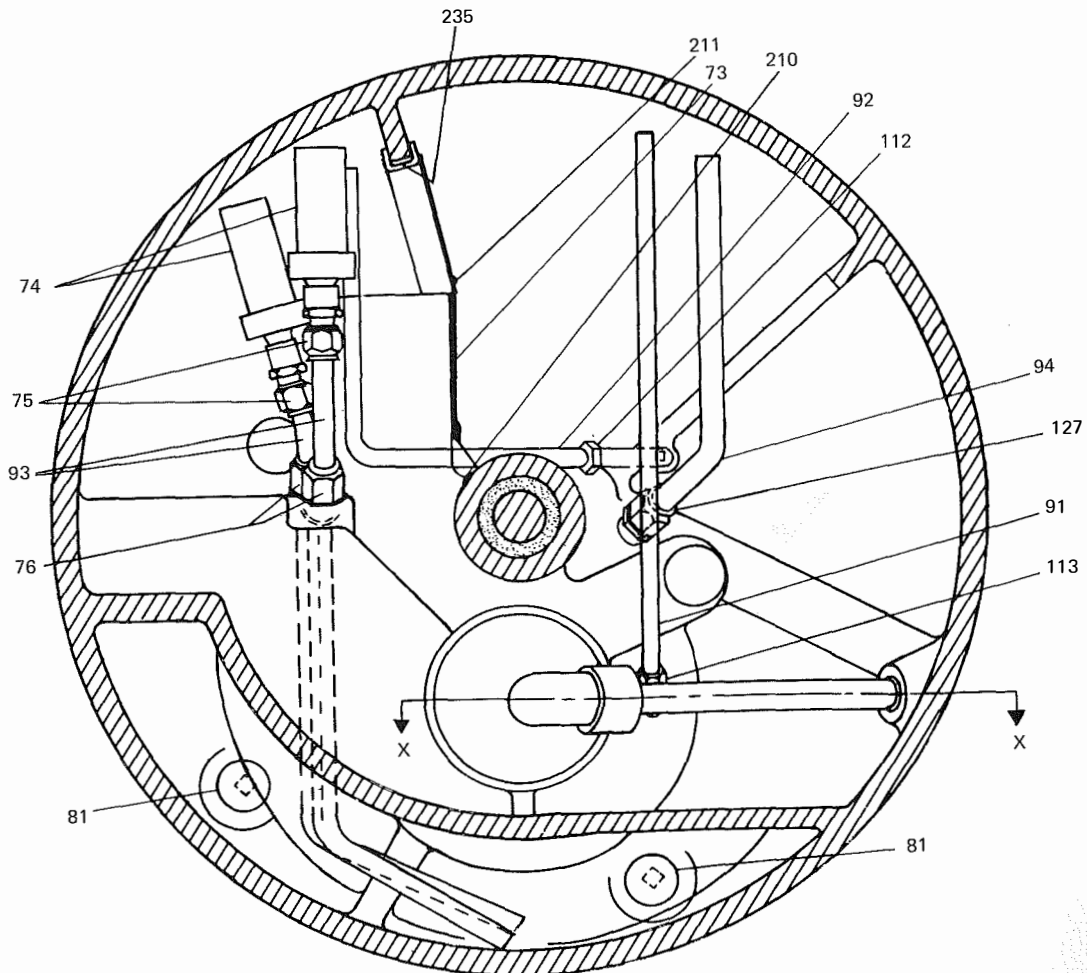


FIG. 13— SECTION "E"—"E" — SHOWING OIL PUMP AND INTERNAL PARTS