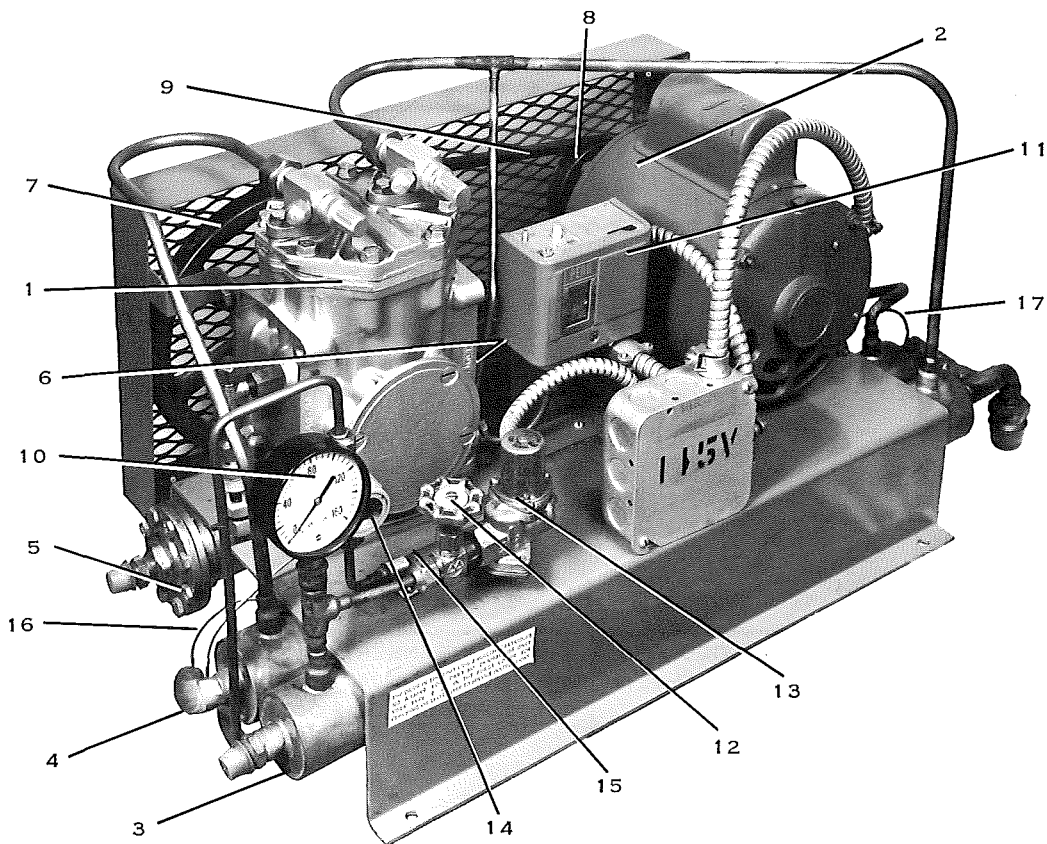


# PURGE UNIT



**FIG. 58** — Purge Unit - 1967 Design

ITEM	PART DESCRIPTION	QUAN.	PART NUMBER	
			115-1-60	115-1-50
1	COMPRESSOR	1	367-74340	367-74340
2	MOTOR, 1/2 HP	1	024-07055	024-09617
3	PURGE DRUM SHELL	1	026-10928	026-10928
4	CONCENTRATOR SHELL	1	026-10928	026-10928
5	CARTRIDGE, DEHYDRATOR	2	026-10931	026-10931
6	HEATER	1	025-14325	025-14325
7	PULLEY	1	028-05492	028-05492
8	PULLEY	1	028-05493	028-06939
9	V-BELT 4L430	1	028-06097	———
	4L440	1	———	028-05251
10	PRESSURE GAUGE	1	026-10558	026-10558
11	CONTROL, H.P. CUTOUT	1	025-10738	025-10738
12	VALVE, CHECK STRAIGHT THRU	1	022-02923	022-02923
13	VALVE, SOLENOID	1	025-10401	025-10401
14	INDICATOR, MOISTURE	1	026-11780	026-11780
15	STRAINER, CAPILLARY	1	029-04935	029-04935
16	TUBE, RESTRICTOR	1	067-39968	067-39968
17	TUBE, RESTRICTOR	1	067-40561	067-40561