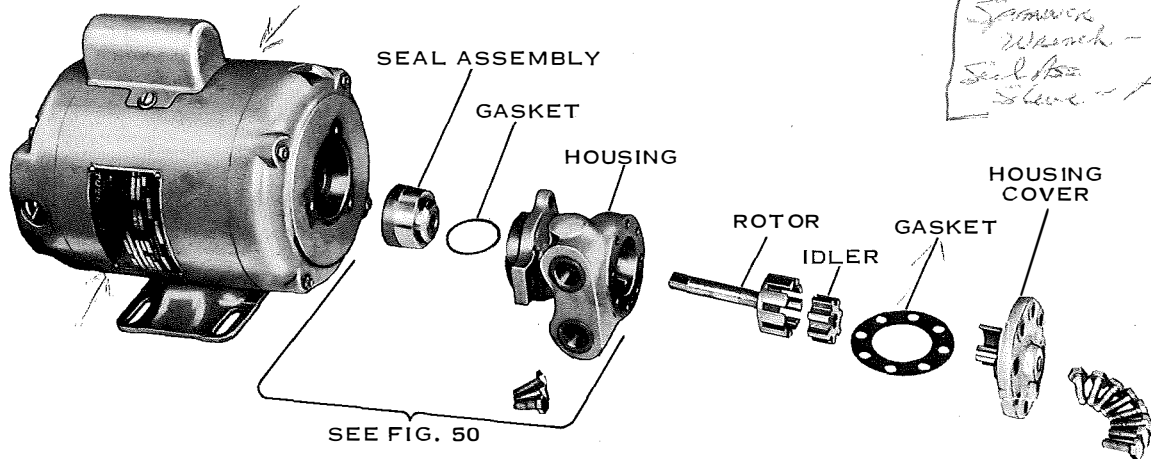


**AUXILIARY OIL PUMPS**

DESCRIPTION	PART NO.	REPLACEMENT SEAL ASSEMBLY
60 CYCLE	026-09306	026-10904
50 CYCLE	026-13605	

*NEW Seal Kit For New Tub Pump  
026-17840*

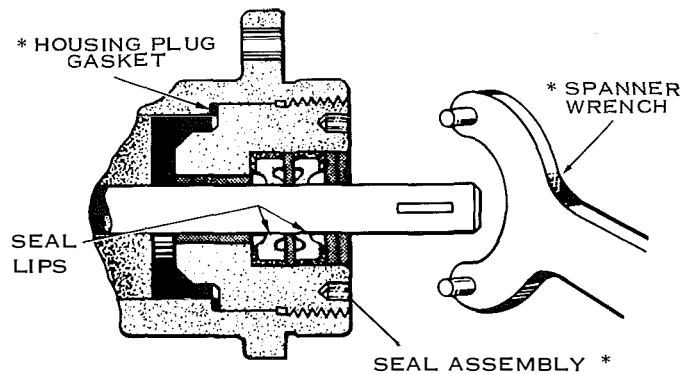
*Seal - 2LFF9-7010  
O-Rings - A701-36  
Spanner Wrench - 025W6  
Seal Sleeve - A302A-1*



**FIG. 49—** Exploded View of Auxiliary Oil Pump

**TABLE 8—** OIL HEATERS

COMPR. MODEL	DESCRIPTION	PART NO.	QUAN.
LTD 53 LTD 59	285 WATT-120 VOLT	025-09450	1
LTD 67 LTD 76 LTD 85 LTD 95 LTD 108 LTD 120	285 WATT-120 VOLT	025-09450	2



\* PARTS INCLUDED IN REPLACEMENT SEAL ASSEMBLY

**FIG. 50—** Seal Assembly

**TABLE 9—** FLOAT SWITCHES

COMPR. MODEL	PART NO.	QUAN.
LTD 53 LTD 59 LTD 67 LTD 76 LTD 85 LTD 95 LTD 108 LTD 120	025-10017	1

**TABLE 10—** HIGH OIL TEMP. CONTROL (HOT)

COMPR. MODEL	PART NO.	QUAN.
LTD 53 LTD 59	025-15381-003	1
LTD 67 LTD 76 LTD 85 LTD 95 LTD 108 LTD 120	025-15381-001	1