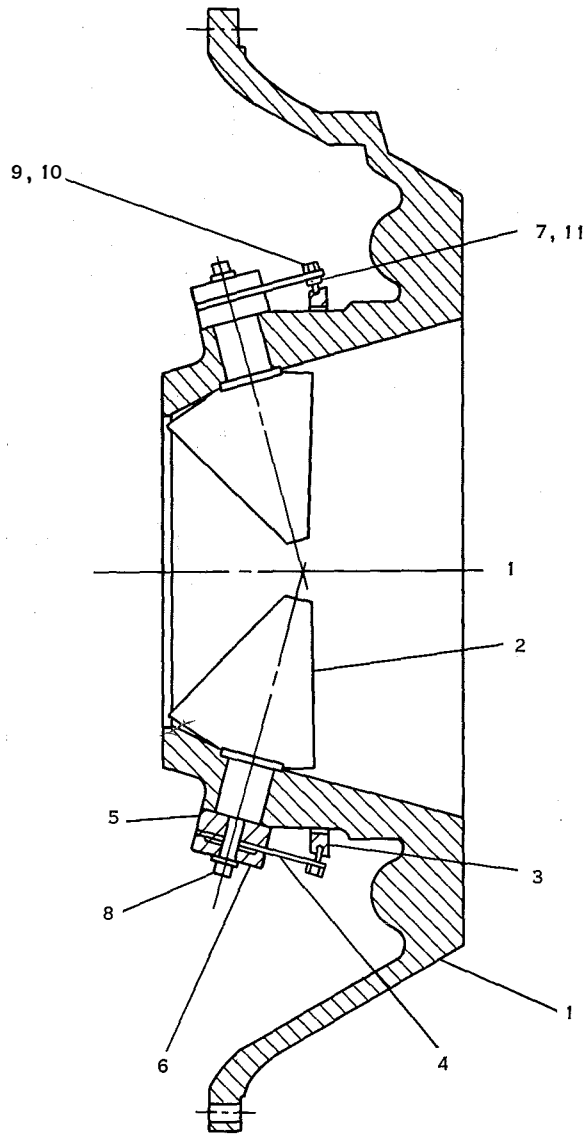


**MODELS OT390 THRU OT600
PREROTATION VANE HOUSING**



ITEM	PART DESCRIPTION	MODELS			
		LTD - 108		LTD - 120	
		PART NO.	QUAN.	PART NO.	QUAN.
1	HOUSING, PRE-ROTATION	064-22971	1	064-22972	1
2	VANE, PRE-ROTATION	064-22767	8	064-22767	8
3	RING, VANE DRIVING	064-22727	1	064-22727	1
4	ARM, VANE	064-22658	8	064-22658	8
5	WASHER	064-22660	8	064-22660	8
6	WASHER, SPECIAL	064-22659	8	064-22659	8
7	WASHER	021-11973	10	021-11973	10
8	SCREW, CAP	021-12347	8	021-12347	8
9	SCREW, BALL	029-07017	8	029-07017	8
10	NUT, HEX 1/4-28UNF 3B	021-12943	8	021-12943	8
11	WASHER	021-10189	16	021-10189	16

FIG. 46—Prerotation Vane Assembly LTD108 and LTD120