

MODELS LTD108 AND LTD120  
LINKAGE - EXTERNAL PRV  
AIR OPERATED

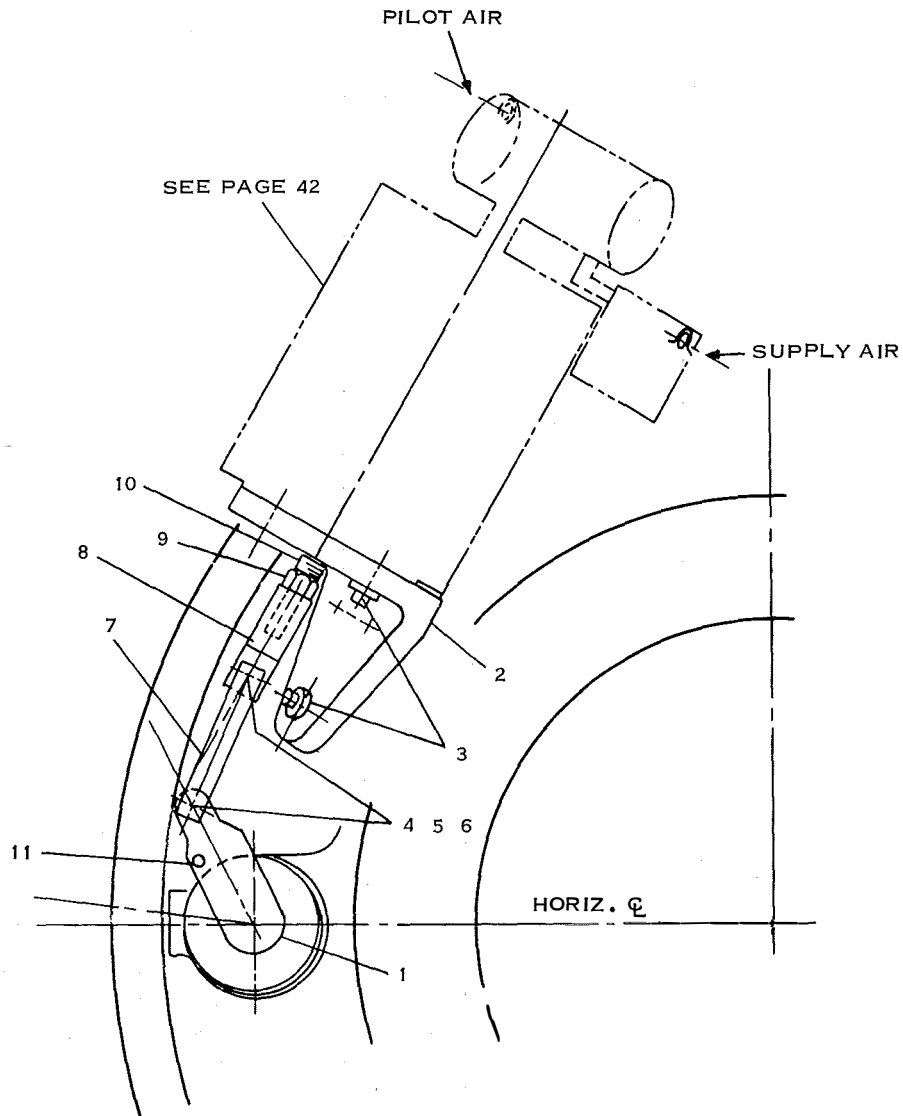


FIG. 44— Linkage External - PRV - Air Operated

ITEM	PART DESCRIPTION	QUAN.	PART NO.
1	LEVER, PRV DEVICE	1	064-28626
2	BRACKET	1	064-28625
3	SCREW, CAP 12PT 1/2 X 1 1/2	7	021-11933
4	PIN, LINKAGE	2	064-07127
5	WASHER, PLAIN 13/32	4	021-01274
6	PIN, COTTER	4	021-01083
7	LINKAGE	2	064-29618
8	CLEVIS, CONOMOTOR	1	064-29619
9	NUT, HEX JAM 3/4UNF	1	021-00591
10	WASHER, PLAIN 13/16	6	021-05157
11	PIN INSERT 3/32 X 1 1/8	1	029-05900