

COMPRESSORS—MODELS LTD108 AND LTD120

TABLE 4— VARIABLE PARTS

ITEM NO.	PART DESCRIPTION	60 & 50 CYCLE			
		LTD-108		LTD-120	
		PART NO.	QUAN.	PART NO.	QUAN.
1	ROTOR SCROLL	064-22908	1	064-22907	1
2	PREROTATION VANE ASSEMBLY	364-29002	1	364-29003	1
3	NOZZLE PLATE BASE	064-22786	1	064-22786	1
4	RETAINER, NOZZLE BASE PLATE	064-22974	1	064-22963	1
5	GASKET RETAINER TO NOZZLE BASE PLATE	★064-23002	1	★064-23010	1
6	IMPELLER SEAL RING	064-22714	1	064-22715	1
7	FLAT SPRING WASHER	064-22690	1	064-22661	1
9	DIFFUSER PLATE	064-22327	1	064-22332	1
49	OIL SEPARATOR PLATE	064-22869	1	064-22950	1
50	RING SEAL IMPELLER	064-12378-005	1	064-12378-006	1
51	FLAT SPRING WASHER	064-12438-009	1	064-12438-008	1
52	RETAINING RING, INTERNAL	064-22709	1	064-22711	1
54	IMPELLER	064-22910	1	064-22909	1
58	BASE PLATE NOZZLE GASKET	★064-22983	1	★064-23009	1

★ PARTS INCLUDED IN FIELD REPLACEMENT KIT — MODELS LTD108 & LTD120 — PART NO. 464-29630

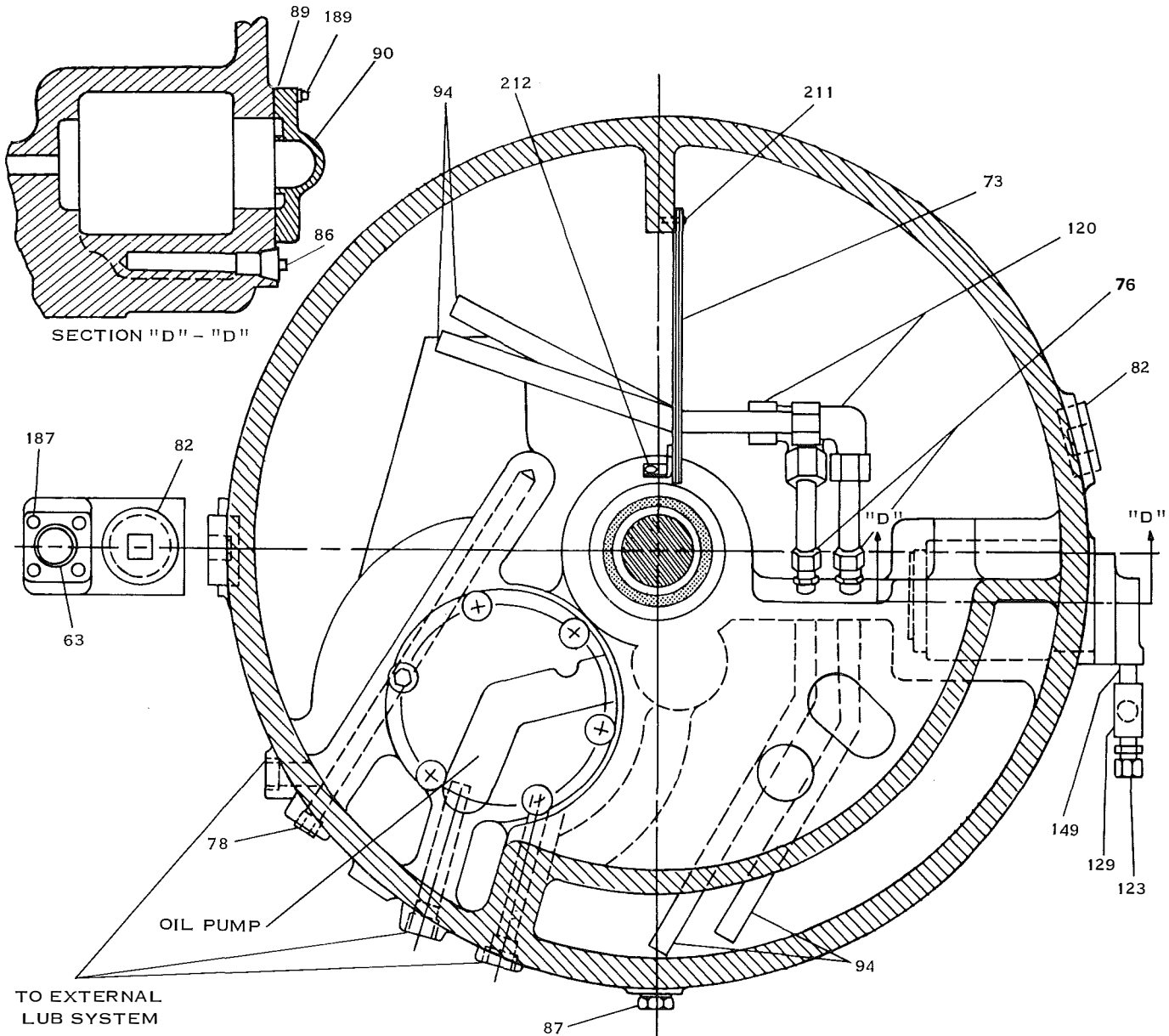


FIG. 38— Section "C"-"C" - Showing Internal Parts