

COMPRESSORS—MODELS LTD85 AND LTD95

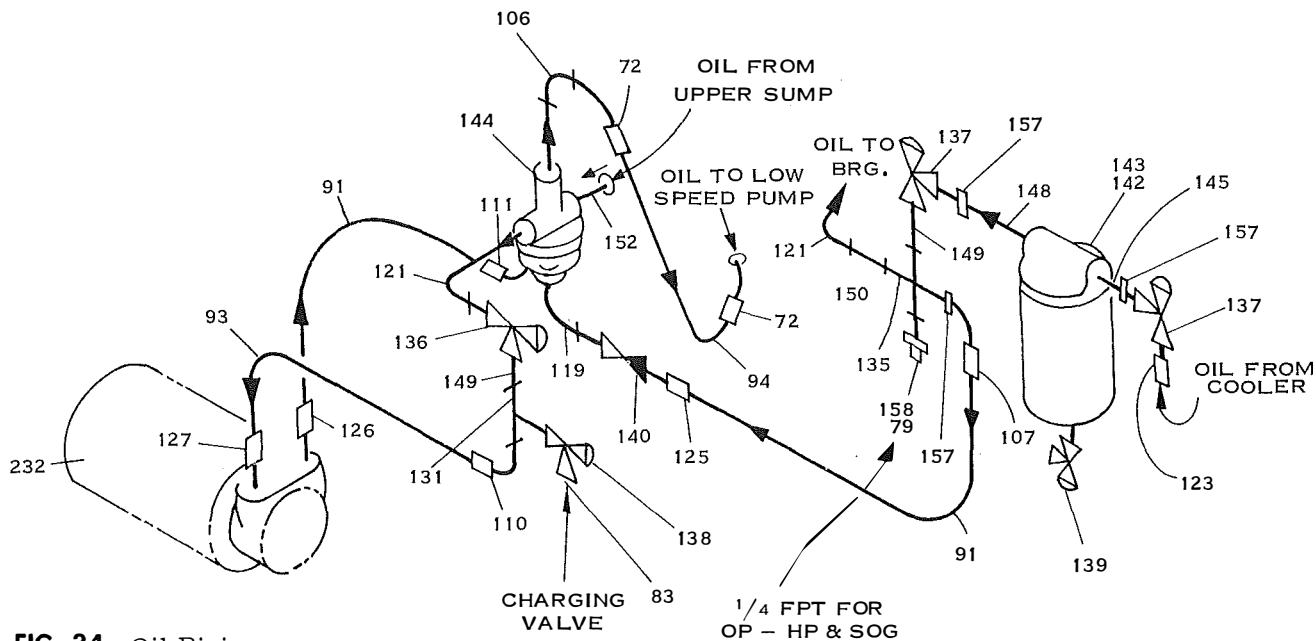


FIG. 34— Oil Piping

**MODELS LTD85 AND LTD95
LINKAGE - EXTERNAL PRV
ELECTRICALLY OPERATED**

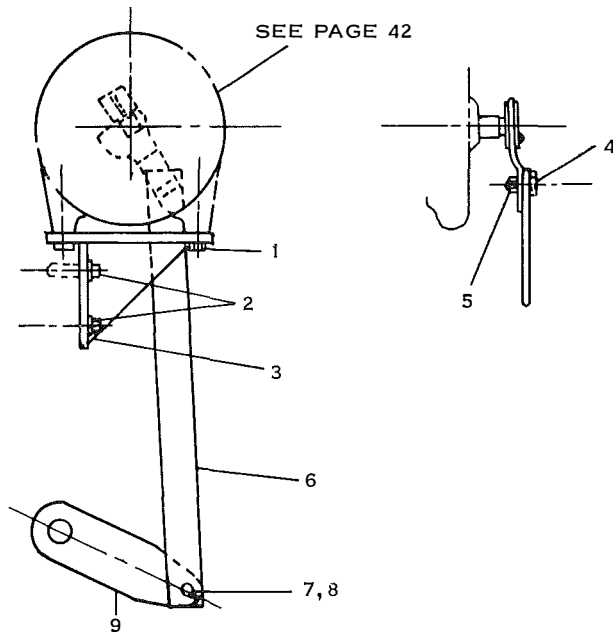


FIG. 35— Linkage External - PRV - Electrically Operated

ITEM	PART DESCRIPTION	QUAN.	PART NO.
1	SCREW, CAP, HEX HD. 1/4 - 20UNC X 3/4 LG.	4	021-11741
2	SCREW, CAP, HEX HD. 3/8 - 16UNC X 1 LG.	3	021-11149
3	BRACKET, MOTOR MOUNTING	1	364-12886
4	BOLT SHOULDER (SPEC.)	1	064-12815
5	NUT, HEX 1/4 - 20UNC - 2B	2	021-00450
6	LINK, EXT. MOTOR	1	064-13405
7	SCREW, CAP, HEX HD. 3/8 - 16UNC X 2 LG.	1	021-11917
8	NUT, HEX 3/8 - 16UNC - 2B	2	021-00466
9	LEVER, PRV DEVICE	1	064-13421