

COMPRESSORS—MODELS LTD85 AND LTD95

TABLE 3—VARIABLE PARTS

ITEM NO.	PART DESCRIPTION	YORK FLEX. DISK COUPLING				YORK FLEX. COUPLING	
		(60 & 50 CYCLE)				(50 CYCLE)	
		MODEL LTD85		MODEL LTD95		MODEL LTD95	
		PART NO.	QUAN.	PART NO.	QUAN.	PART NO.	QUAN.
2	PREROTATION VANE ASSEMBLY	364-15255	1	364-15266	1	364-15266	1
3	NOZZLE BASE PLATE	064-21643	1	064-21644	1	064-21644	1
6	IMPELLER SEAL RING	064-21418	1	064-21417	1	064-21417	1
7	FLAT SPRING WASHER	064-05683	1	064-05656	1	064-05656	1
8	RETAINING RING - IMPELLER RING SEAL	064-05680	1	064-05588	1	064-05588	1
9	DIFFUSER PLATE	064-12139	1	064-12103	1	064-12103	1
18	DRIVE SHAFT	064-14971	1	064-14971	1	064-24520	1
25	THRUST COLLAR	064-21475	1	064-27569	1	064-27569	1
53	MAIN SHAFT	064-21479	1	064-27568	1	064-27568	1
54	IMPELLER	064-11968	1	064-11969	1	064-11969	1

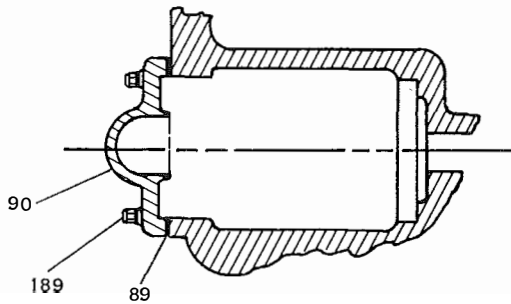


FIG. 28— Filter

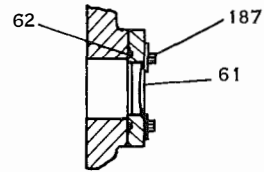


FIG. 29— Oil Sight Glass

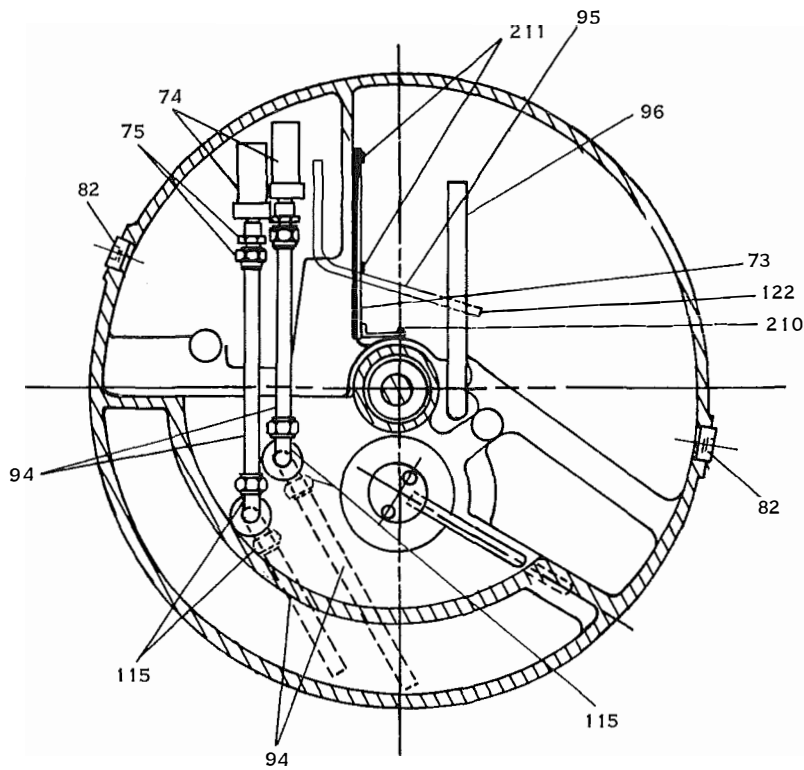


FIG. 30 — Section "A"- "A", Showing Oil Pump and Internal Parts