

**MODELS LTD53 AND LTD59
LINKAGE - EXTERNAL PRV
ELECTRICALLY OPERATED**

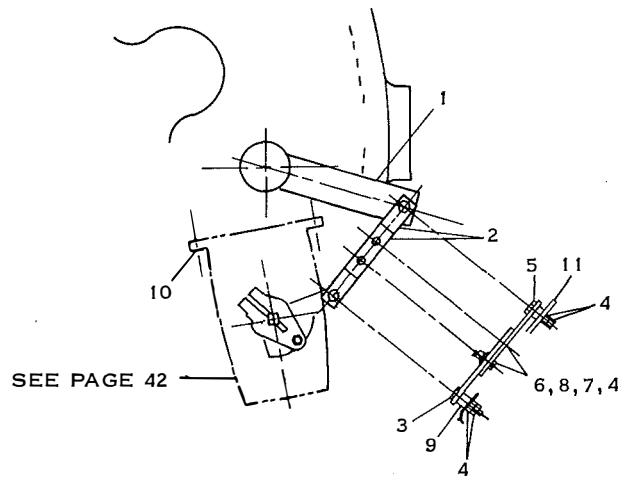


FIG. 15— Linkage External PRV - Electrical Operated

ITEM	PART DESCRIPTION	QUAN.	PART NO.
1	LEVER, PRV DEVICE	1	364-28236B
2	LINK, EXT. PRV	2	064-28260A
3	BOLT SHOULDER	1	064-28286A
4	NUT, HEX, 1/4 - 20UNC	6	021-00450
5	BOLT SHOULDER	1	064-28282A
6	SCREW, CAP HEX HD.	2	021-11914
7	LOCKWASHER, 1/4	2	021-05267
8	WASHER, PLAIN	2	021-05165
9	RING, 5/8 O.D. X 17/64 X 1/2 LG.	1	064-28284
10	SCREW, CAP 12PT. HD.	4	021-11741
11	RING, 5/8 O.D. X 17/64 X 3/8 LG.	1	064-28353
12	ARM CRANK W/CLIP	1	025-12780

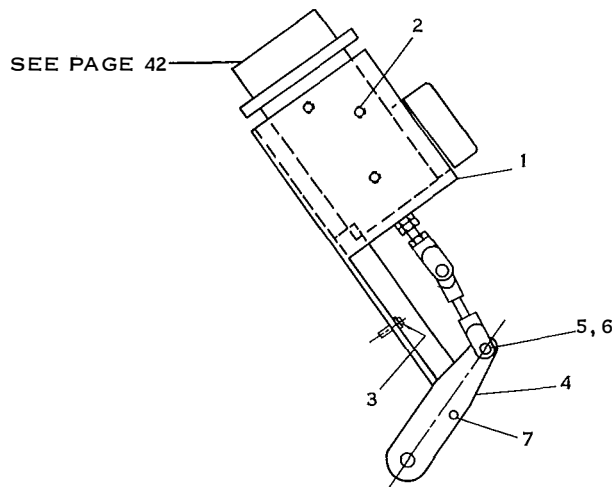


FIG. 16— Linkage - External PRV - Air Operated

ITEM	PART DESCRIPTION	QUAN.	PART NO.
1	BRACKET, MOUNTING PRV MOTOR	1	364-16838D
2	SCREW, CAP, 1/4 - 20UNC X 5/8	3	021-08310
3	SCREW, CAP, 5/16 - 18UNC X 3/4	4	021-11394
4	LEVER - PRV DEVICE	1	064-17898B
5	SCREW, CAP, 1/4 - 20UNC X 1 1/2	1	021-02399
6	NUT - HEX, 1/4 - 20UNC	2	021-00450
7	PIN, INSERT	1	029-04842