

FLOW CONTROLLER

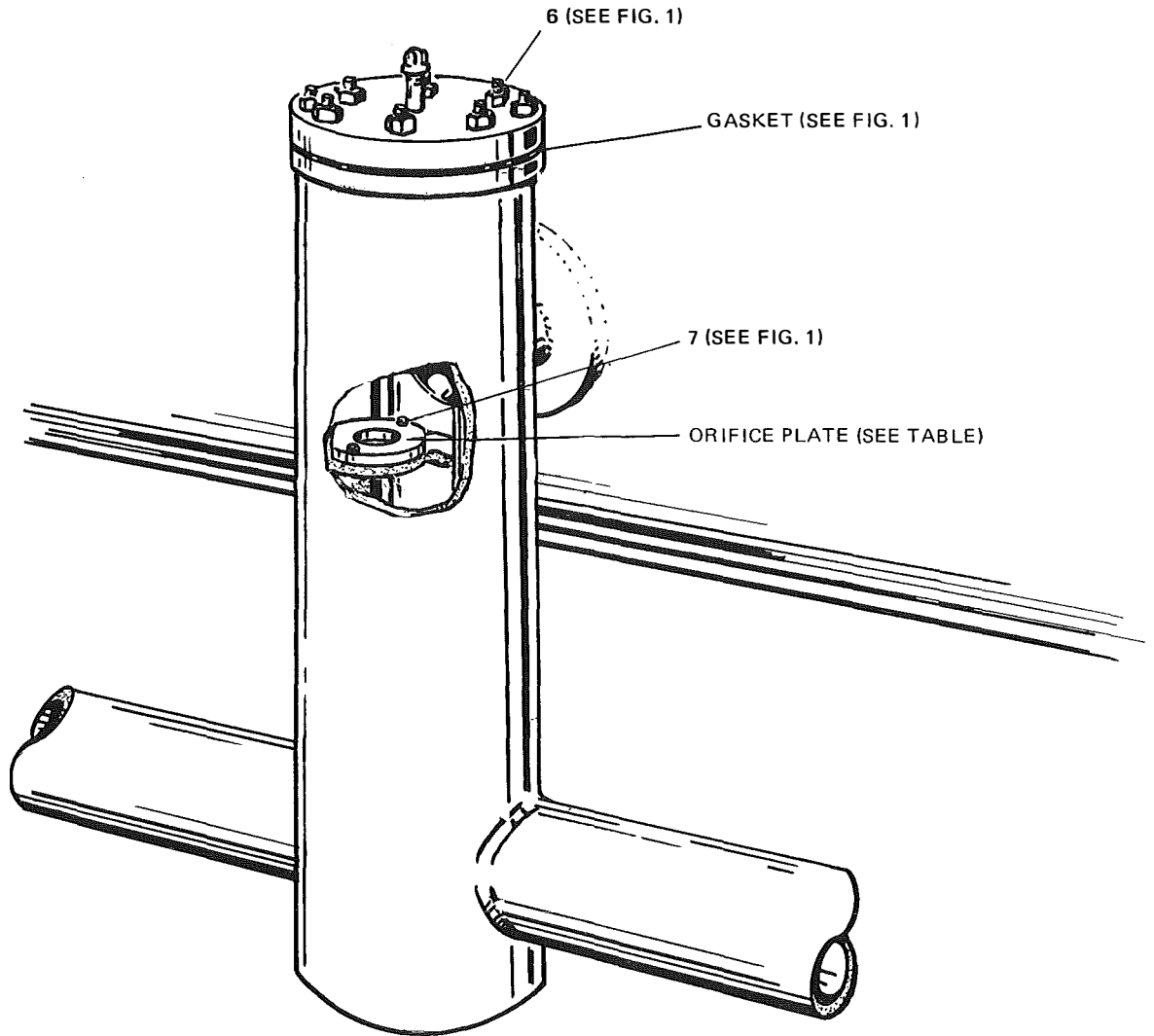


FIG. 2— FLOW CONTROLLER WITH ORIFICE PLATE

ORIFICE PLATE

Shell Code	Max. Design Tons		Code	Part No.
	HT	OT		
M, P, AND S	670	670	A106	066-27702-001
M, P, AND S	770	800	A108	066-27702-002
M, P, AND S	880	920	A110	066-27702-003
M, P, AND S	1030	1030	A112	066-27702-004
M, P, AND S	1100	—	A114	066-27702-005
M, P, AND S	1260	1190	A116	066-27702-006
N, R, AND T	930	840	A106	066-27702-001
N, R, AND T	1110	1000	A108	066-27702-002
N, R, AND T	1260	1170	A110	066-27702-003
N, R, AND T	1450	1350	A112	066-27702-004