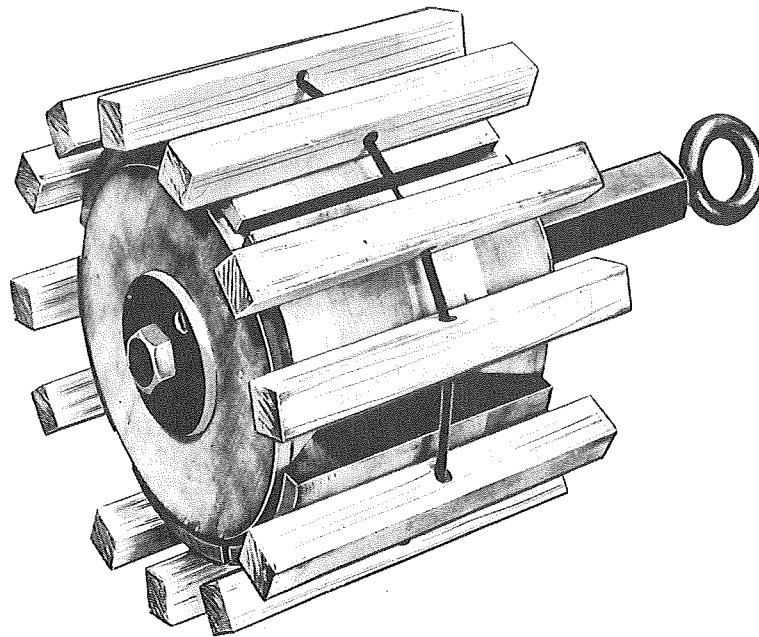


**FLOAT SWITCH OIL LEVEL**

Part No.
025-19856

**FIG. 14— FLOAT SWITCH**



**MANDREL PARTS NUMBERS**

Compressor Model No.	Min. Dia.	Max. Dia.	Part No.
MKC-65	12	14	029-13872
MKC-73	12	14	029-13872

**FIG. 15— EXPANDING MANDREL**