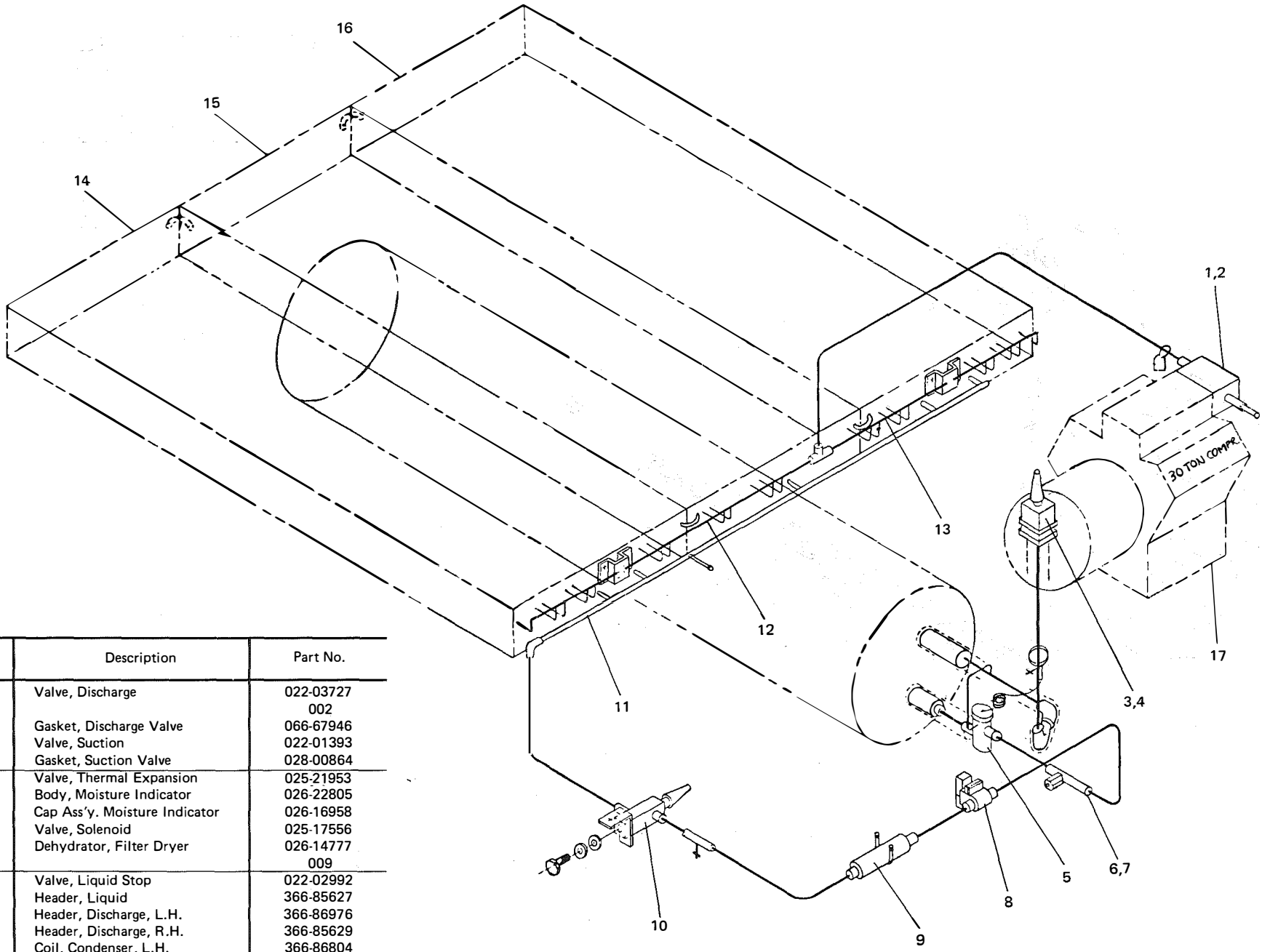


FIG. 8 - REFRIGERANT PIPING - LCHA30



Item No.	Description	Part No.
1	Valve, Discharge	022-03727
2	Gasket, Discharge Valve	002
3	Valve, Suction	066-67946
4	Gasket, Suction Valve	022-01393
5	Valve, Thermal Expansion	028-00864
6	Body, Moisture Indicator	025-21953
7	Cap Ass'y. Moisture Indicator	026-22805
8	Valve, Solenoid	026-16958
9	Dehydrator, Filter Dryer	025-17556
10	Valve, Liquid Stop	026-14777
11	Header, Liquid	009
12	Header, Discharge, L.H.	022-02992
13	Header, Discharge, R.H.	366-85627
14	Coil, Condenser, L.H.	366-86976
15	Coil, Condenser, Center	366-85629
16	Coil, Condenser, R.H.	366-86804
17	Compressor, 6 Cyl. Model S	366-86805
		366-86806
		See 180.40-RP2