

# HT TURBOPAK PARTS

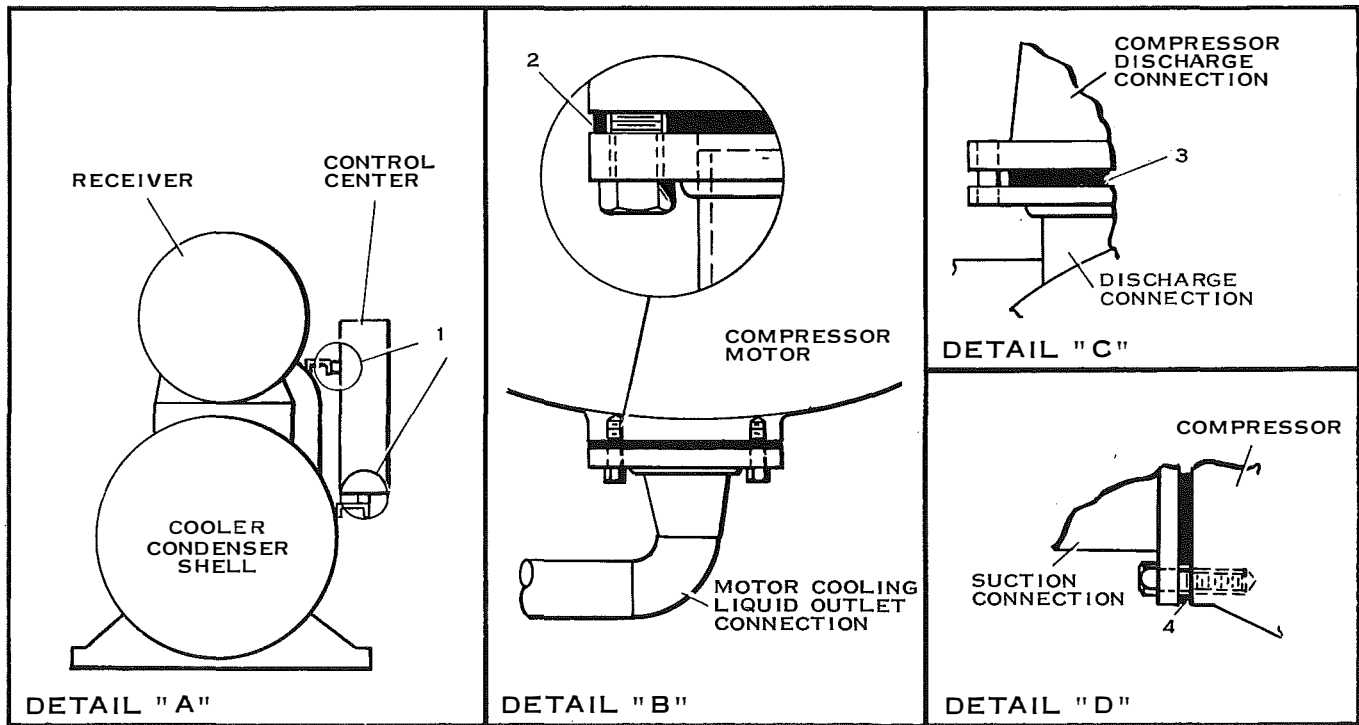


FIG. 3—TURBOPAK SYSTEM CONNECTIONS

Item	Part Description	Fig.	Shell Code					
			HT M & N		HT P & R		HT S & T	
			Part No.	Quan.	Part No.	Quan.	Part No.	Quan.
1	Isolator, Control Panel	3(A)	028-02162	3	028-02162	3	028-02162	3
2	Gasket, Round	3(B)	067-58661	1	067-58661	1	067-58661	1
3	Gasket, Discharge	3(C)	070-12208	1	070-12208	1	070-12208	1
4	Gasket Suction Connection	3(D)	070-10632 (12")	1	070-10632 (14")	1	070-10632 (14")	1
5	Coupling Dresser	2	023-07146	1	023-07145	1	023-07145	1
6	Cartridge, Dehydrator	4(G)	026-14787	3	026-14787	3	026-14787	3
7	Dehydrator	4(F)	026-13508	1	026-13508	1	026-13508	1
8	Valve, Stop	3	368-09841	3	368-09841	3	368-09841	3
9	Valve, Stop	4(F)	022-01873	2	022-01873	2	022-01873	2
10	Valve, Stop	2	022-00016	1	022-00016	1	022-00016	1
11	Coupling Dresser	2	023-07734	1	023-07734	1	023-07734	1
12	Disc. Bursting	4(E)	366-46508	1	366-46508	1	366-46508	1
13	Valve, HC Type (Dual Relief)	4(E)	468-07878	2	468-07878	2	468-07878	2
14	Valve, Angle Stop	4(E)	022-03673	1	022-03673	1	022-03673	1
15	Valve, Relief	4(E)	468-09878	1	468-09878	1	468-09878	1
16	Valve Stop, Globe	2	022-03709	1	022-03709	1	022-03709	1
17	Valve, Stop	4(F)	022-00695	1	022-00695	1	022-00695	1
18	Valve, Dual Stop	4(E)	468-08065	1	468-08065	1	468-08065	1
19	Indicator, Liquid Level (Rec.)	1	367-67997-019	1	367-67997-018	1	367-67997-018	1
20	Transfer Condenser	4(E)	026-10001	1	026-10001	1	026-10001	1
21	Oil Cooler	2	366-46631	1	366-46631	1	366-46631	1
22	Valve Solenoid	4(F)	025-16914	1	025-16914	1	025-16914	1
23	Accumulator		026-17983	1	026-17983	1	026-17983	1