

FLOW CONTROLLER

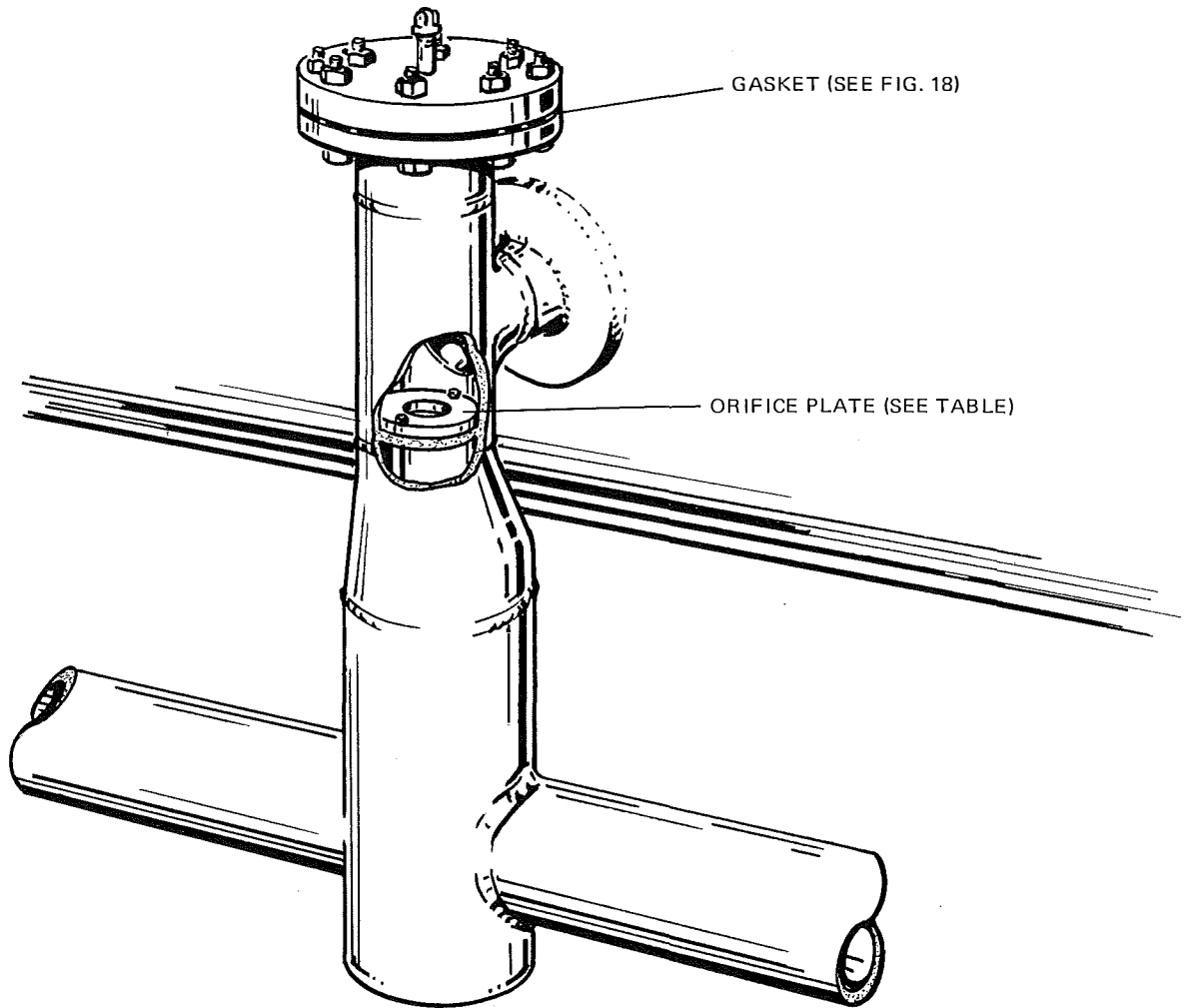


FIG. 19—FLOW CONTROLLER WITH ORIFICE PLATE

ORIFICE PLATE (STANDARD SELECTION)

Model HT	Code	Orifice Dia.	Part No.
670	A106	1.375	066-27702-001
720, 770	A108	1.500	066-27702-002
820, 820C, 820CM, 880, 880CM, 880M	A110	1.625	066-27702-003
920, 980, 1030	A112	1.750	066-27702-004