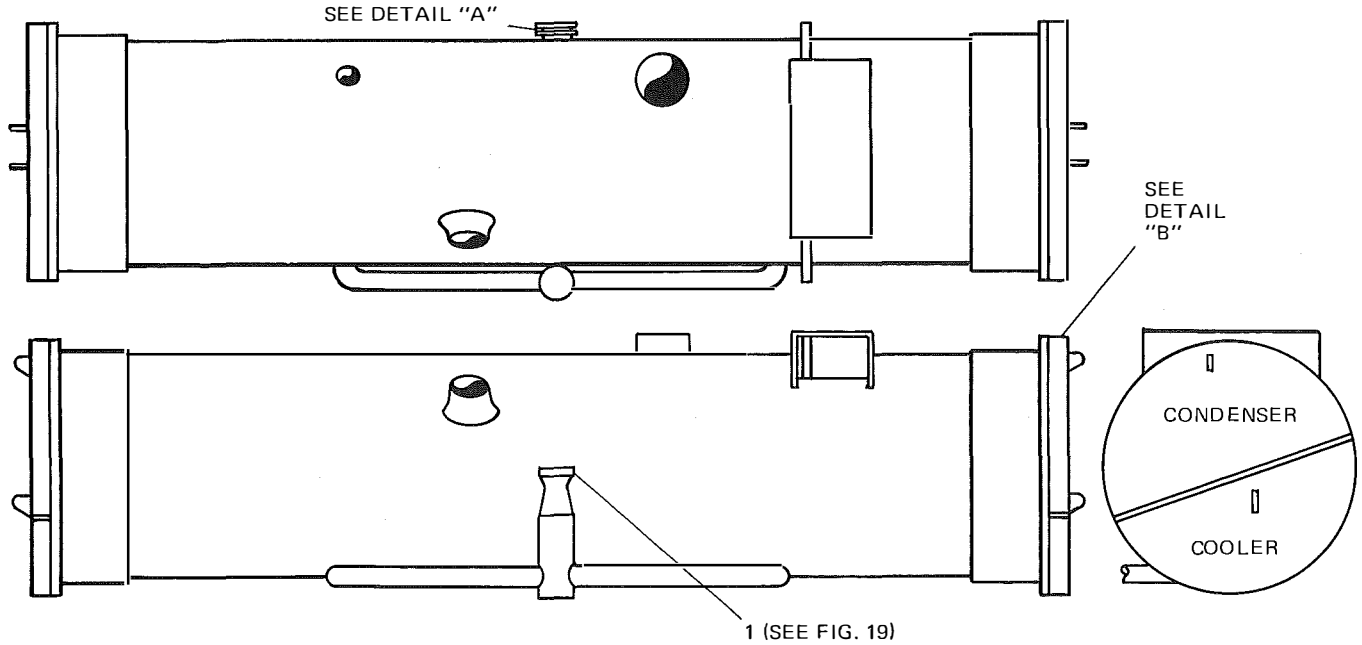
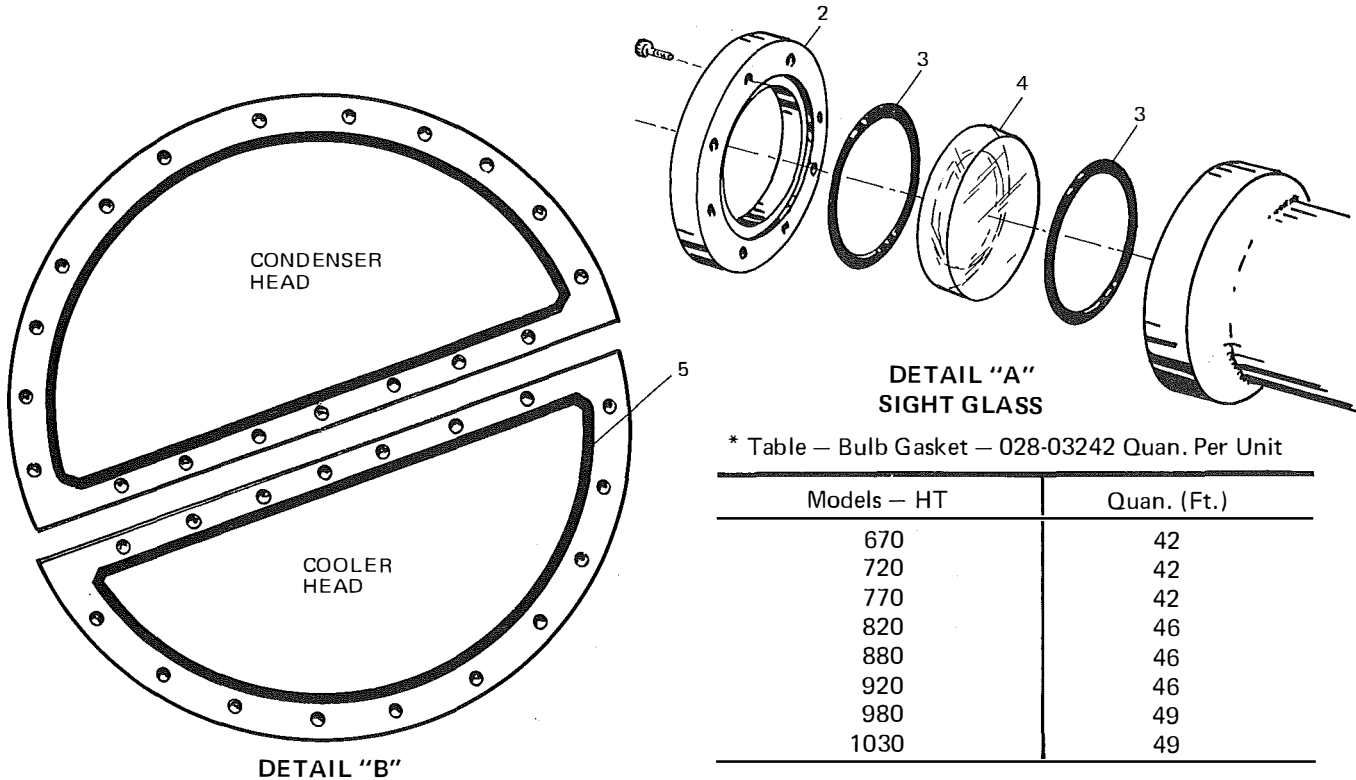


COOLERS AND CONDENSERS



Item	Part Description	Models								
		HT 670, 720 & 770			HT 820, 880 & 920			HT 980 & 1030		
		Part No.	Quan.	Fig.	Part No.	Quan.	Fig.	Part No.	Quan.	Fig.
1	Gasket	067-57402	1		067-57402	1		067-57402	1	
2	Gland, Sight Glass	067-27590	1		067-27590	1		067-27590	1	
3	Gasket, Sight Glass	070-16406	2		070-16406	2		070-16406	2	
4	Glass, Sight	026-09608	1		026-09608	1		026-09608	1	
5	Gasket, Bulb	028-03242	*		028-03242	*		028-03242	*	

FIG. 18— COOLER—CONDENSER SHELL



* Table — Bulb Gasket — 028-03242 Quan. Per Unit

Models — HT	Quan. (Ft.)
670	42
720	42
770	42
820	46
880	46
920	46
980	49
1030	49