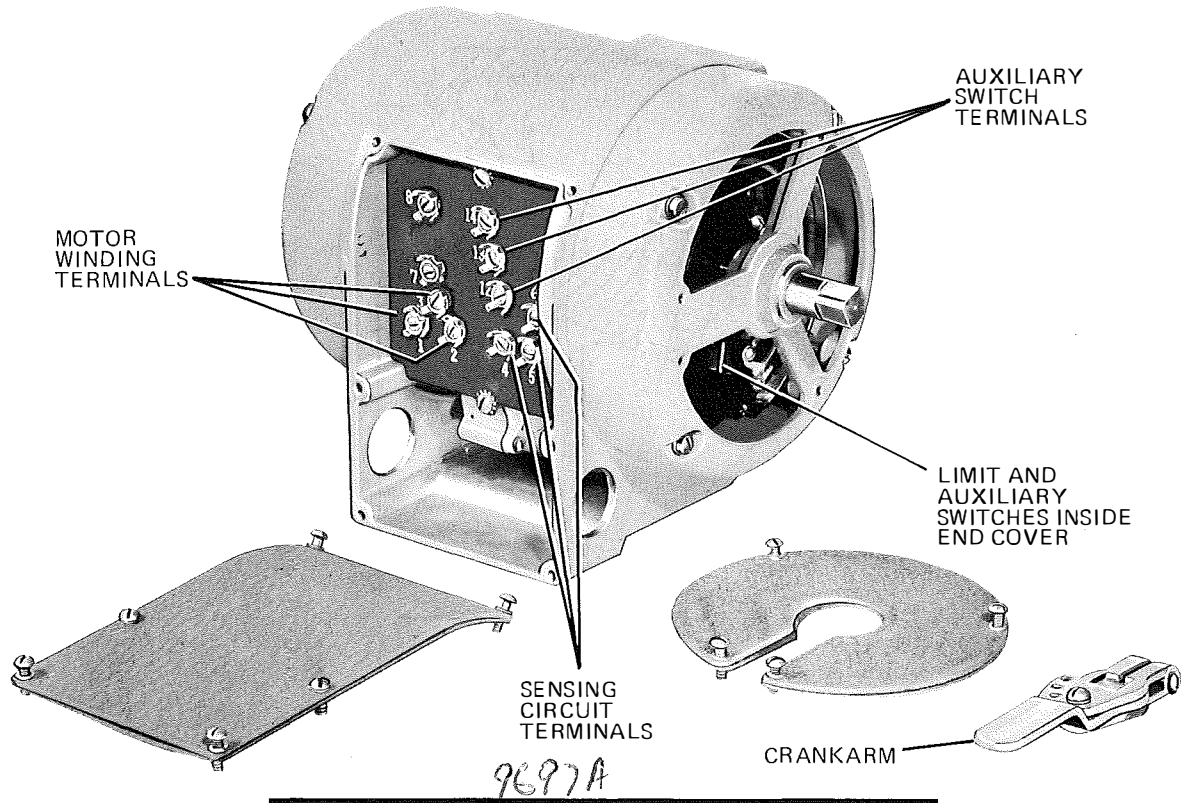
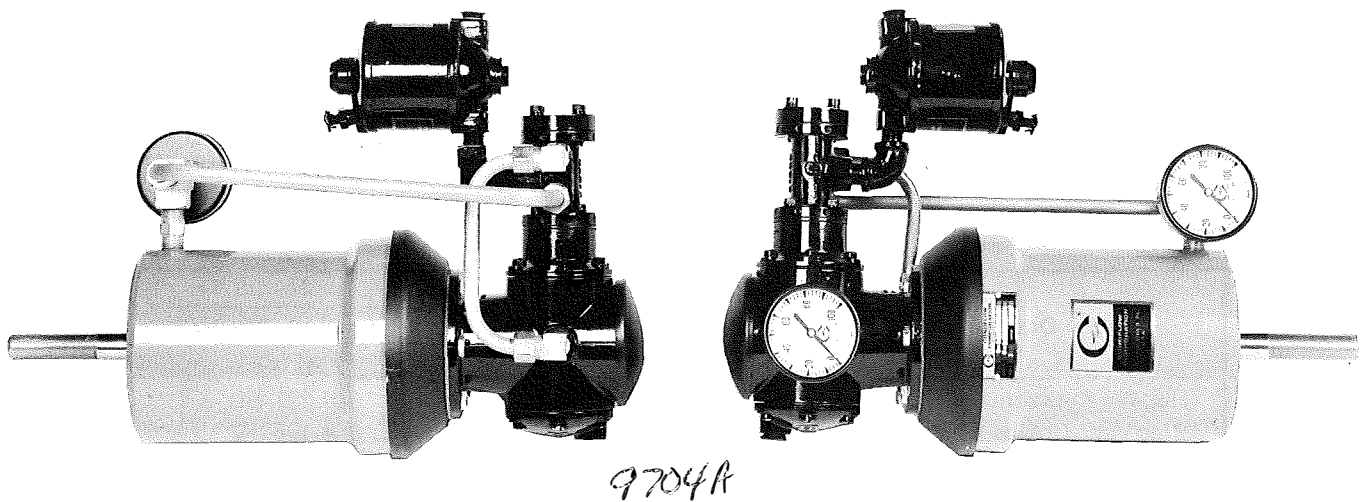


PRV—ELECTRIC MOTOR ACTUATORS



Compr. Model	Part No.	Quan.
MKA-65	025-16381	1
MKA-73	025-16381	1

FIG. 14—ELECTRIC MOTOR ACTUATORS



Compr. Model	Part No.	Quan.
MKA-65	024-09425	1
MKA-73	024-09425	1

FIG. 15— PRV – AIR OPERATED (PNEUMATIC) POSITIONERS