

COUPLING OPEN TYPE — LTH 67, 76, 85 AND 95

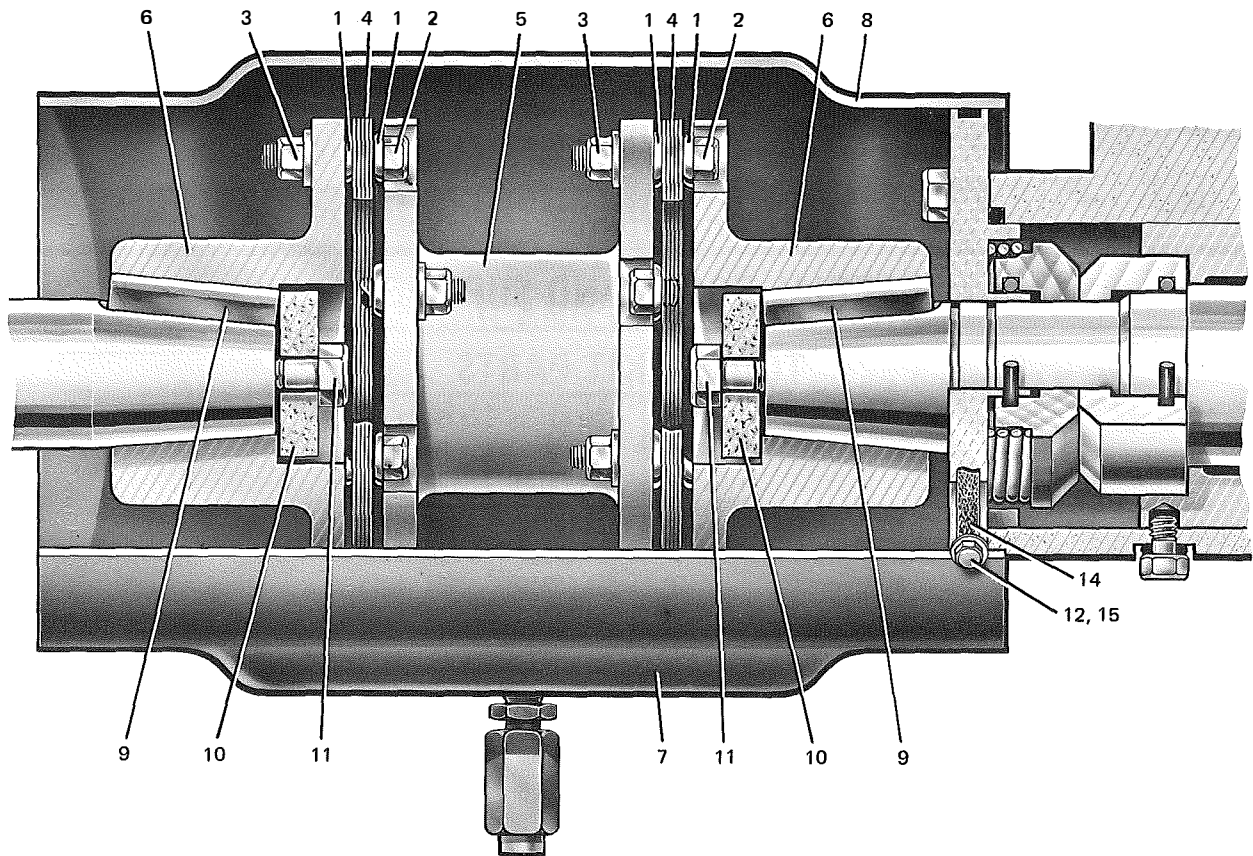


FIG. 22 — COUPLING OPEN TYPE — MODELS LTH 67, 76, 85 AND 95

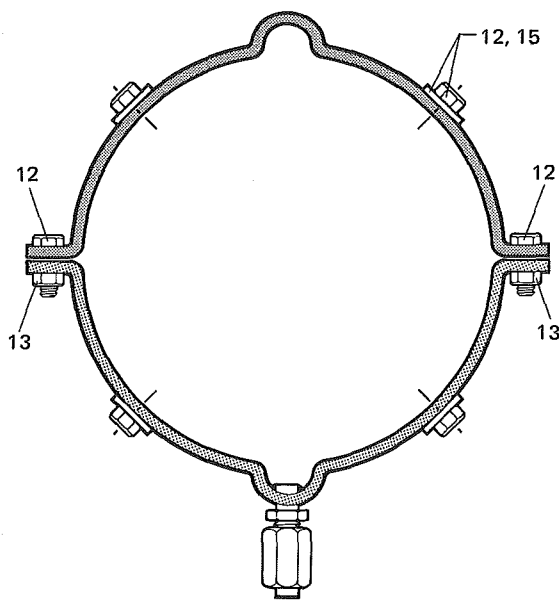


FIG. 23 — COUPLING GUARD — MODELS LTH 67, 76, 85 AND 95

COMPRESSOR/MOTOR COUPLING — PART NO. 029-17388

| Item | Description | Quantity Per Unit | Part No. |
|------|-------------------------------------|-------------------|-----------|
| 1 | Washer, Beveled | 16 | 021-15807 |
| 2 | Screw, Shoulder Hex Hd. | 16 | 021-15808 |
| 3 | Locknut, Flanged | 16 | 021-15809 |
| 4 | Disc, Pack | 2 | 029-18103 |
| 5 | Spacer Center Spool | 1 | 029-18104 |
| 6 | Hub Coupling | 2 | 029-18105 |
| 7 | Guard With Drain | 1 | 364-46216 |
| 8 | Guard, Top | 1 | 364-46208 |
| 9 | Key | 2 | 064-46209 |
| 10 | Washer, Coupling & Shaft | 2 | 064-46210 |
| 11 | Screw, Cap Hex Hd. 1/2"–13 x 1-1/4" | 2 | 021-01567 |
| 12 | Screw, Cap Hex Hd. 1/4"–20 x 1/2" | 10 | 021-01366 |
| 13 | Nut, Hex 1/4"–20 | 6 | 021-00405 |
| 14 | Gasket, .139 ± .004" Dia. | As Required | 028-10177 |
| 15 | Washer | 4 | 064-46210 |