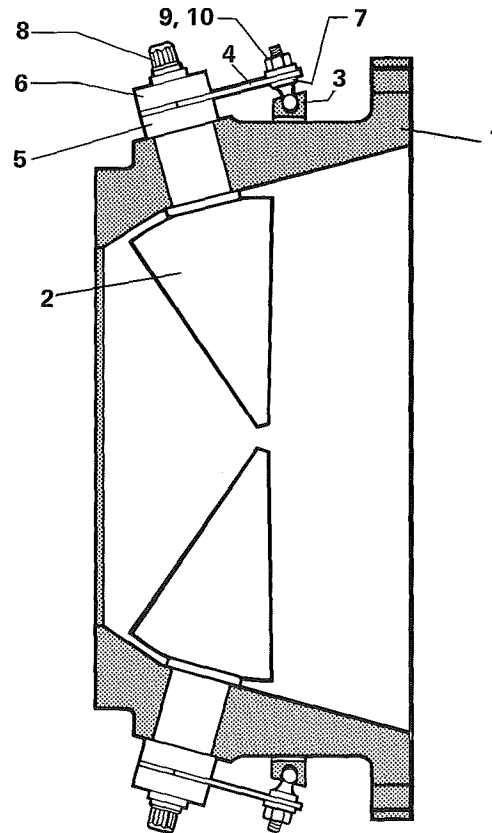


COMPRESSOR — MODELS MTH/LTH 67, 76, 85 AND 95

Prerotation Vane Housing Parts



Item	Part Description	Models			
		MTH & LTH 67		MTH & LTH 76	
		Part No.	Quan.	Part No.	Quan.
1	Housing, Pre-Rotation	064-13486	1	064-13485	1
2	Vane, Pre-Rotation	064-10618	9	064-10618	9
3	Ring, Vane Driving	064-10815	1	064-10815	1
4	Arm, Vane	064-10818	9	064-10818	9
5	Washer	064-10819	9	064-10819	9
6	Washer—Special	064-09289	9	064-09289	9
7	Washer	021-11973	10	021-11973	10
8	Screw, Cap 12 Pt. Hd. 3/8-24 UNF X 2 Lg.	021-11956	9	021-11956	9
9	Screw, Ball	029-07017	9	029-07017	9
10	Nut, Hex, 1/4-28 UNF 33	021-12943	9	021-12943	9

Item	Part Description	Models			
		MTH & LTH 85		MTH & LTH 95	
		Part No.	Quan.	Part No.	Quan.
1	Housing, Pre-Rotation	064-13481	1	064-13482	1
2	Vane, Pre-Rotation	064-08822	8	064-08822	8
3	Ring, Vane Driving	064-08813	1	064-08813	1
4	Arm, Vane	064-08814	8	064-08814	8
5	Washer	064-09061	8	064-09061	8
6	Washer—Special	064-08815	8	064-08815	8
7	Washer	021-11973	10	021-11973	10
8	Screw, Cap 12 Pt. Hd. 3/8-24 UNF X 2 Lg.	021-11743	8	021-11743	8
9	Screw, Ball	029-07017	8	029-07017	8
10	Nut, Hex, 1/4-28 UNF 33	021-12943	8	021-12943	8

FIG. 13 — PREROTATION VANE ASSEMBLY — MODELS MTH/LTH 67, 76, 85 AND 95