

ITEM	PART NO.	QUAN.	DESCRIPTION
1	064-13481	1	HOUSING - PRE-ROTATION (T85)
	064-13482		HOUSING - PRE-ROTATION (T95)
2	064-08822	8	VANE - PRE-ROTATION
3	064-09061	8	WASHER - SPECIAL 1 3/4 OD X 33/64 X 35/64 TH.
4	064-08814	8	ARM - VANE
5	064-08815	8	WASHER - SPECIAL 1 3/4 OD X 1/2 LG.
6	021-11743	8	SCREW - CAP 12 PT. HD. 1/2-20UNF X 2 1/4 LG.
7	064-08813	1	RING - VANE DRIVE
8	029-07017	8	SCREW - BALL END ONLY
9	021-11973	AS REQ'D	WASHER
10	021-12943	8	NUT, DBL HEX 1/4-28NF

FIG. 10- Cross Section View of Pre-Rotation Device

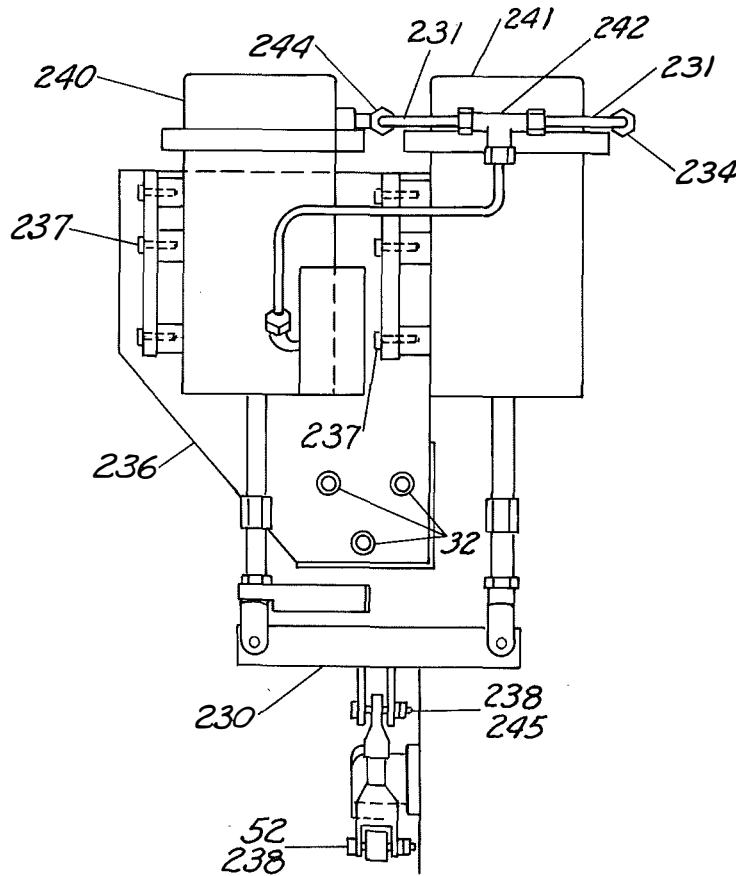


FIG. 11- Dual Air Pre-Rotation Device

Subject to Change Without Notice

Printed in U. S. A.

GP 5M 1168 .20 Code: S(J) & R(J)
Form 160.41-RP1.3

YORK

DIVISION OF BORG-WARNER CORPORATION

