

ITEM	PART NO.	QTY.	DESCRIPTION
140	064-14963	1	FAN
141	364-14978	1	ROTOR, HERMETIC MOTOR
142	SEE SYSTEM DATA PLATE	1	STATOR
143	023-07092	4	ELBOW 45° 3/8 TUBE X 1/4 MPT
144	064-07317	2	CONN. MALE SPECIAL
145	023-06816	1	ELBOW 90° 1/2 TUBE X 3/8 MPT
146	023-07063	1	PLUG, "O" RING
147	064-14975	1	COVER, HAND HOLE
148	070-06905	2	GASKET, OIL SIGHT
149	026-02634	2	GLASS, OIL SIGHT
150	064-14317	2	SUPPORT, OIL SIGHT
151	028-00774	2	GASKET, OIL SIGHT
152	064-12161	1	PLUG, STATOR LOCKING
153	028-05403	1	RING, "O" 1 1/8 OD X 1 5/16 ID X 3/32 SECT.

ITEM	PART NO.	QTY.	DESCRIPTION
154	022-01739	1	VALVE, CHECK 1/4 FPT IN 1/4 MPT OUT
155	023-08382	1	ELBOW 90° 1/2 TUBE X 3/8 FPT
156	070-07509	1	GASKET, HAND HOLE COVER
157	028-05401	1	RING, "O" 20 OD X 19 1/2 ID X 1/4 SECTION
158	021-11980	16	SCR. CAP 12 PT. HD. 3/4-10UNC X 2 1/4 LG.
159	028-04522	2	RING "O" 1 1/4 OD X 1 ID X 1/8 SECTION
160	029-00310	1	NAMEPLATE, PUBLICITY 6
161	070-01294	2	NIPPLE, PIPE 1/2 SCHED. 40 X 2 LG.
162	025-08189	1	CONN. ELECT. 1/2 STRAIGHT
163	029-00334	1	NAMEPLATE, INSTRUCTION, ROTATION
164	029-09432	1	NAMEPLATE, DATA SYSTEM
165	021-03720	10	SCR. DRIVE NO. 4 X 1/4 LG.
166	023-05524	1	ELBOW, ST. 1/4
167	021-00461	4	NUT, HEX 5/16-18UNC

ITEM	PART NO.	QTY.	DESCRIPTION
169	021-01418	4	SCR., CAP HEX HD. 5/16-18UNC X 3/4 LG.
170	013-01678	AS REQ'D	LOCTITE "NUTLOCK" TYPE CV (4-10)
171	013-01016	AS REQ'D	VARNISH, SCOTCHCAST RESIN
173	023-01994	3	PLUG, HEX SOC. HD. 1/2
174	025-10290	1	BOX, ELECT. OCT. CONCRETE RING
175	025-10291	1	COVER, ELECT. BOX OCT. CONC. RING
176	364-20655	1	BRACKET, MOUNTING AUX. OIL PUMP
177	064-20660	1	GASKET, NOZZLE BASE PLATE
178	021-11973	AS REQ'D	WASHER 1 7/64 ID X 1/2 OD X .016 THK.
179	021-01244	3	WASHER 1/4 ID X 9/16 OD X .049 THK.
180	021-12338	2	BOLT, "U" 1/4 DIA.
181	064-21035	2	COVER, ELECT. END SUPPORT
182	064-21856	1	CONN., TUBE 3/4 OD X .049 WALL X 10 LG.
183	064-21857	1	CONN., TUBE 5/8 OD X .049 WALL X 8 LG.

▲ PARTS INCLUDED IN KIT 464-21519

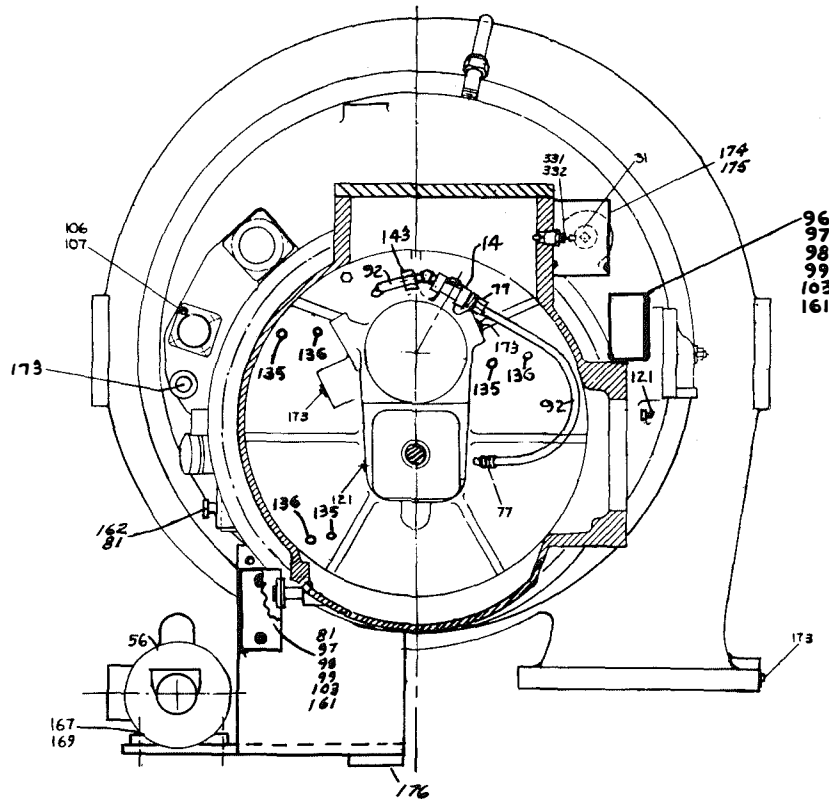


FIG. 2—Front View Compressor

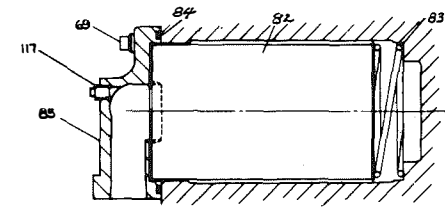


FIG. 3—Filter

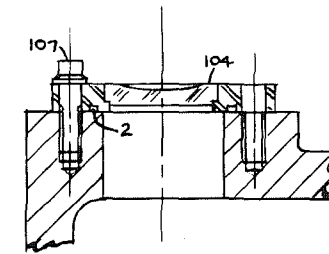


FIG. 4—Oil Sight Glass