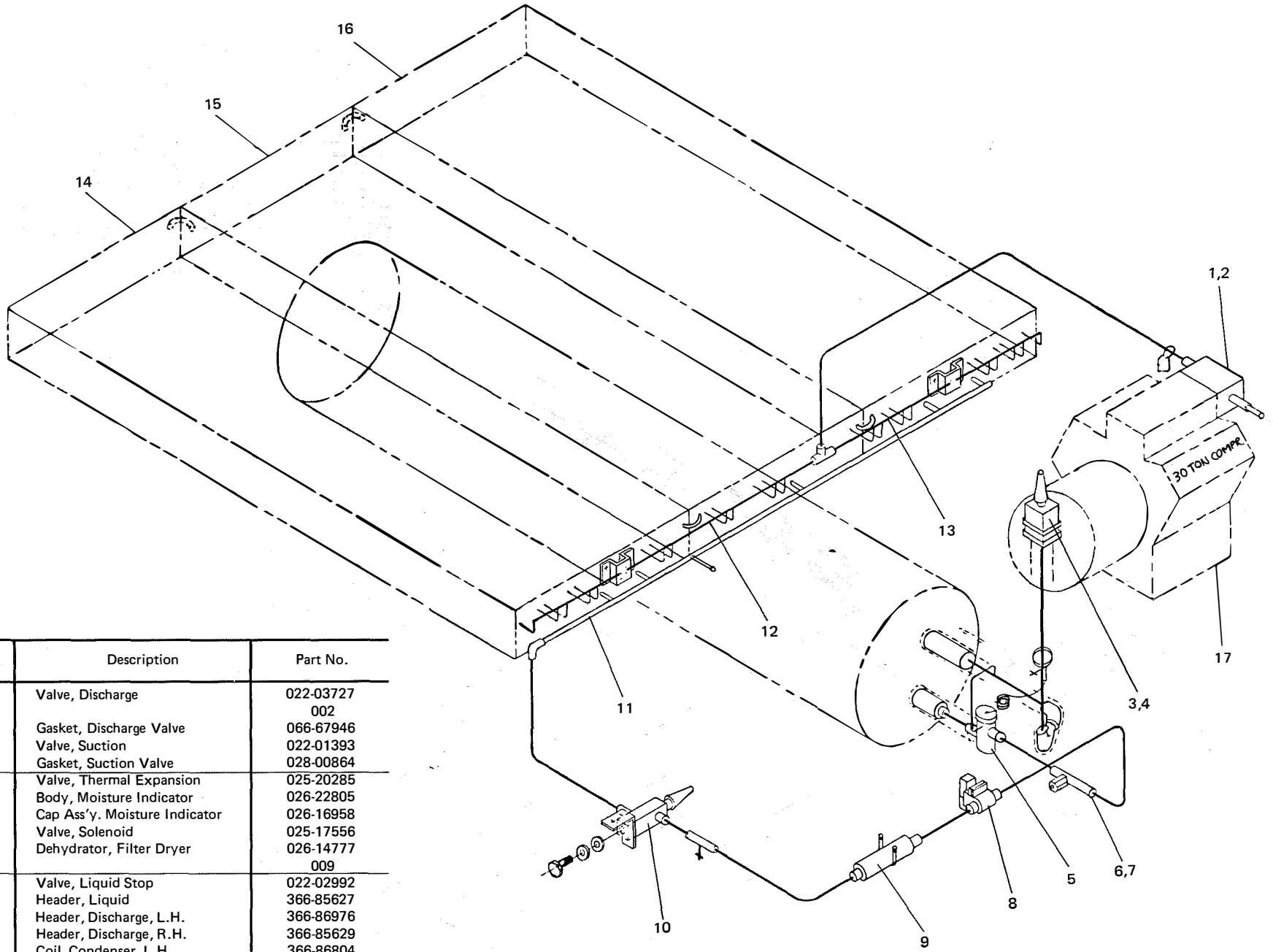


FIG. 8— REFRIGERANT PIPING — LCHA25



Item No.	Description	Part No.
1	Valve, Discharge	022-03727 002
2	Gasket, Discharge Valve	066-67946
3	Valve, Suction	022-01393
4	Gasket, Suction Valve	028-00864
5	Valve, Thermal Expansion	025-20285
6	Body, Moisture Indicator	026-22805
7	Cap Ass'y. Moisture Indicator	026-16958
8	Valve, Solenoid	025-17556
9	Dehydrator, Filter Dryer	026-14777 009
10	Valve, Liquid Stop	022-02992
11	Header, Liquid	366-85627
12	Header, Discharge, L.H.	366-86976
13	Header, Discharge, R.H.	366-85629
14	Coil, Condenser, L.H.	366-86804
15	Coil, Condenser, Center	366-86805
16	Coil, Condenser, R.H.	366-86806
17	Compressor, 6 Cyl. Model S	See 180.40-RP1