

Item No.	Description	Part No.
1	Bracket, Motor Support	026-22694
2	Fan Disc	026-25616
3	Clamp	026-22693
4	Screw 1/4" x 2"	021-02781
5	Nut, Hex	021-00451
6	Washer (2 Req'd.)	021-05165
7	Nut, Hex 3/8"	021-00467
8	Lockwasher 3/8"	021-10784
9	Guard, Fan	026-22695
10	Washer, Plain 3/8"	021-05167
11	Fill Piece	066-84858

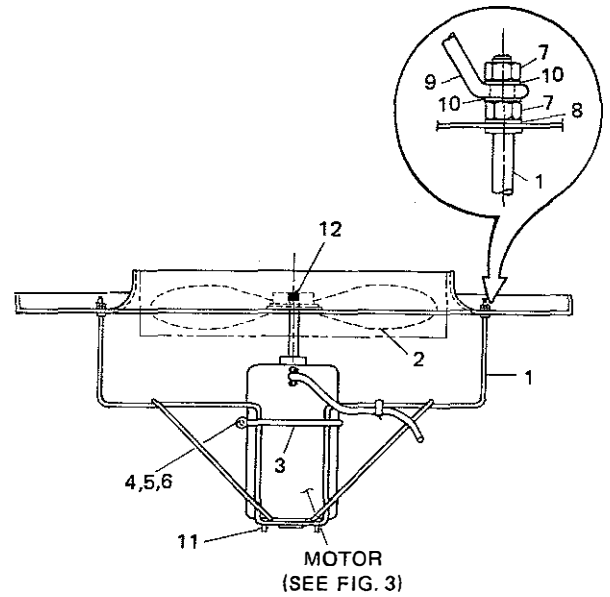
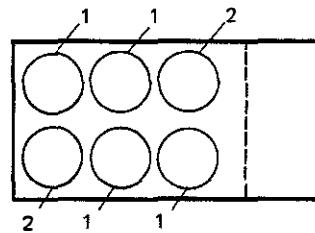
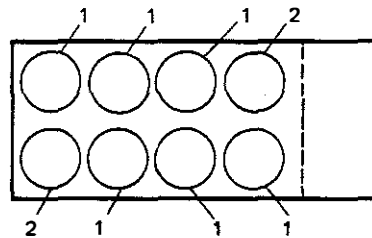


FIG. 2 – FAN COMPONENTS

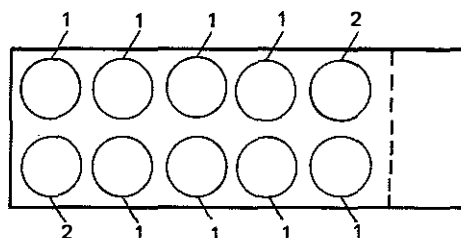
Model	Unit Voltage	Fan Position	Motor Part Number
LCHA55	208/230-3-60	1	024-21041
		2	024-21040
	460-3-60	1	024-21041
		2	024-21040
LCHA65	230-3-60	1	024-21041
		2	024-21040
	460-3-60	1	024-21041
		2	024-21040
LCHA85	208/230-3-60	1	024-21041
		2	024-21040
	460-3-60	1	024-21041
		2	024-21040
LCHA95	208/230-3-60	1	024-21041
		2	024-21040
	460-3-60	1	024-21041
		2	024-21040
575-3-60	1	024-20490	
	2	024-21040	



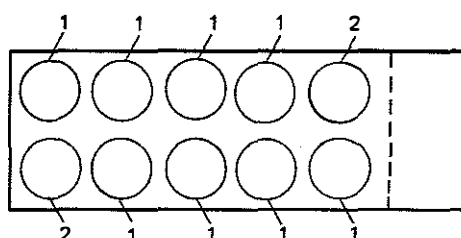
LCHA55



LCHA65



LCHA85



LCHA95

FIG. 3 – FAN MOTORS