

COOLER

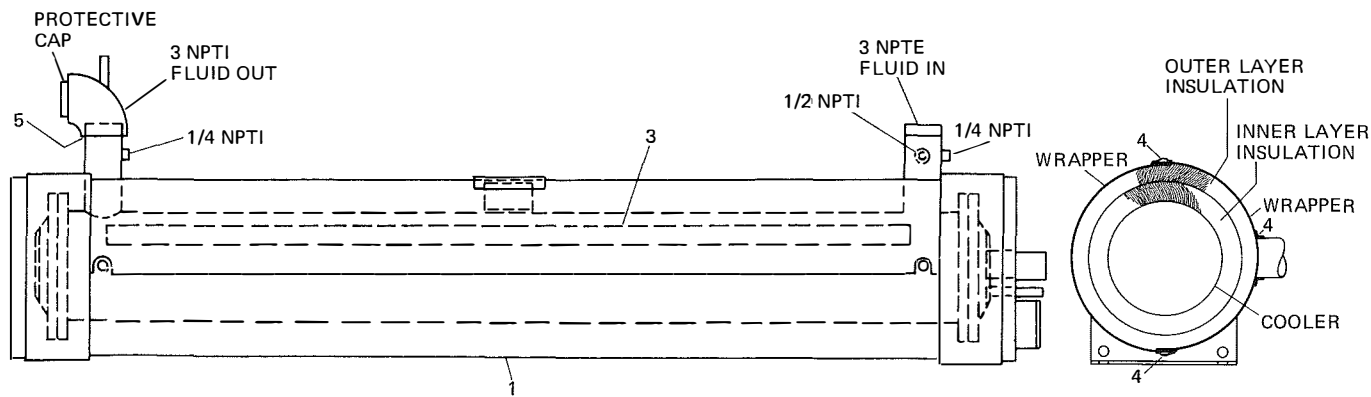


FIG. 6-COOLER

ITEM NO.	DESCRIPTION	FIG. NO.	PART NO.
1	Cooler, Complete Assembly (With Insulation and Metal Wrapper)	6	366-31580
2	Gasket, Cooler (Both Ends)	Not Shown	026-17811
3	Heater, Cooler	6	025-17898
4	Sealer, Butyl Tape	6	013-01961
5	Sealer, Lead Plastic	6	013-01370
6	Switch, Flow (FLS)	Not Shown	024-15793

31850

ACCESSORY PARTS

ITEM NO.	DESCRIPTION	PART NO.
LOW AMBIENT KIT		
1	Kit, Complete (Contains all items listed below)	466-43215
2	Speed Control, Fan (SC) Ranco XE30-28	025-17024
3	Thermostat (3TH)	025-17061
4	Harness, Electrical Wiring	366-43020T104
5	Tie Wrap	025-10138
6	Screw, Machine, #8 x 3/4	021-03743
7	Screw, Machine, #8 x 1/2	021-13784
8	Screw, Machine, #8 x 3/8	021-09988
	Lockwasher, #8	021-01133
GAUGE KIT		
1	Kit, Complete (Contains all items listed below)	466-46886T
2	Gauge, Discharge Pressure, 3-1/2" Dia.	026-14366
3	Gauge, Suction Pressure, 3-1/2" Dia.	026-14367
4	Gauge, Oil Pressure, 3-1/2" Dia.	026-18764
	Valve, Stop, 2-Way (Primore 2869)	022-04302