

COOLER

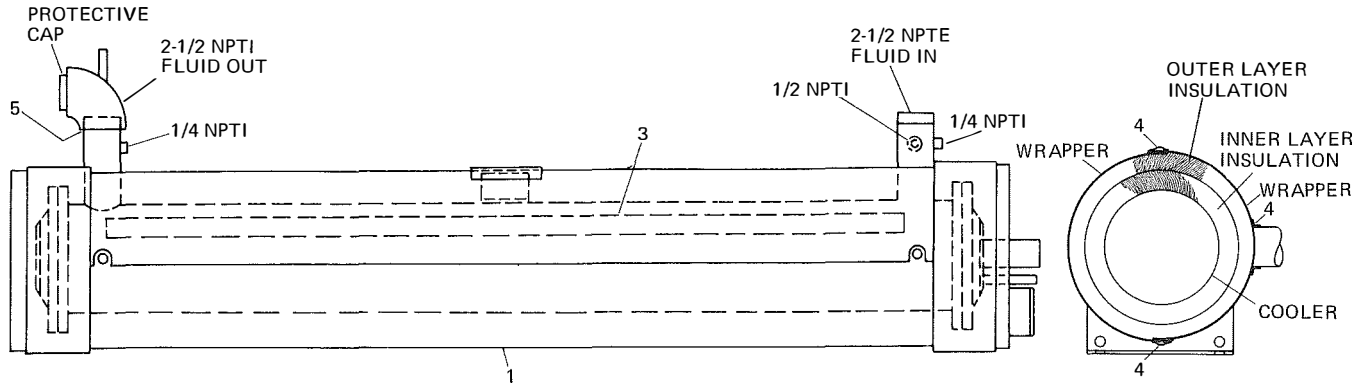


FIG. 6— COOLER

ITEM NO.	DESCRIPTION	FIG. NO.	PART NO.
1	Cooler, Complete Assembly (With Insulation and Metal Wrapper)	6	366-31165
2	Gasket, Cooler, (Both Ends)	Not Shown	026-19387
3	Heater, Cooler	6	025-17897
4	Sealer, Butyl Tape	6	013-01961
5	Sealer, Plastic Lead	6	013-01370
6	Switch, Flow (FLS)	Not Shown	024-15793

ACCESSORY PARTS

ITEM NO.	DESCRIPTION	PART NO.
LOW AMBIENT KIT		
	Kit, Complete (Contains all items listed below)	466-38107
1	Thermostat (3TH) (1 ea.)	025-17061
2	Speed Control (SC) (1 ea.)	025-17024
3	Wire, Electrical (6A) (1 ea.)	366-31782-062
4	Wire, Electrical (7A) (1 ea.)	366-31782-063
5	Wire, Electrical (8B) (1 ea.)	366-31782-060
6	Wire, Electrical (9A) (1 ea.)	366-31782-061
7	Screw, Machine, #8 - 32 x 3/8 (2 ea.)	021-09988
8	Lockwasher (2 ea.)	021-01133
GAUGE KIT		
	Kit, Complete (Contains all items listed below)	466-46886T
1	Gauge, Discharge Pressure, 3-1/2" Dia.	026-14366
2	Gauge, Suction Pressure, 3-1/2" Dia.	026-14367
3	Gauge, Oil Pressure, 3-1/2" Dia.	026-18764
4	Valve, Stop, 2-Way (Primore 2869)	022-04302