

YORK®

RECIPROCATING HERMETIC AIR COOLED PACKAGED LIQUID CHILLERS

RENEWAL PARTS

Supersedes: Nothing

273

Form 150.40-RP2

MODELS LCHA25-25A, 46A, 58A, 61A AND 67A

3-2-73

MAR 26 1973

CORRECTIONS
page 3, item 011

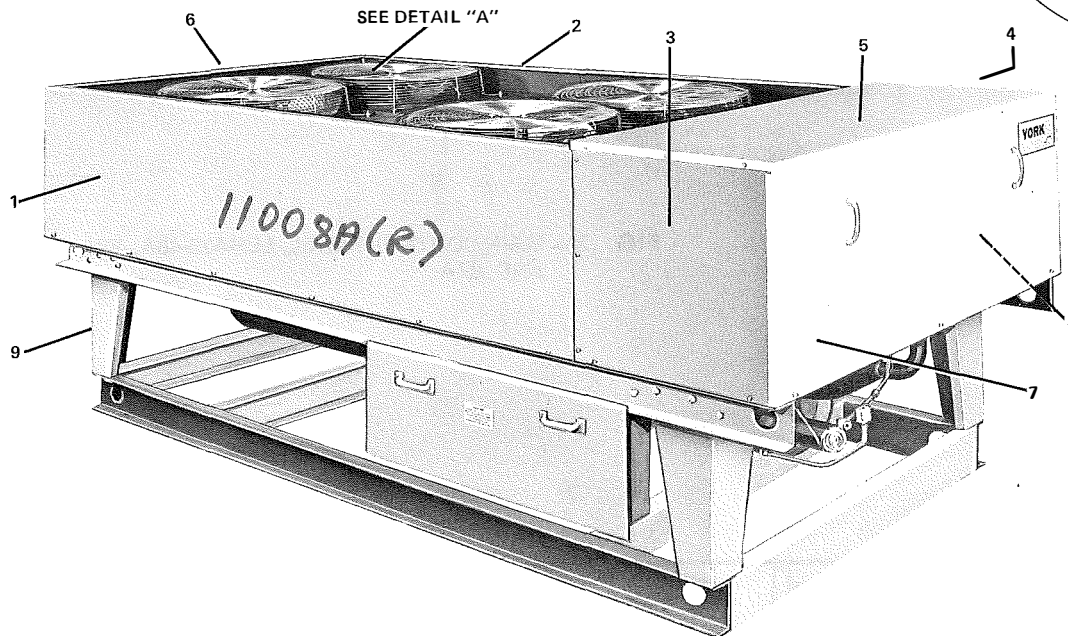
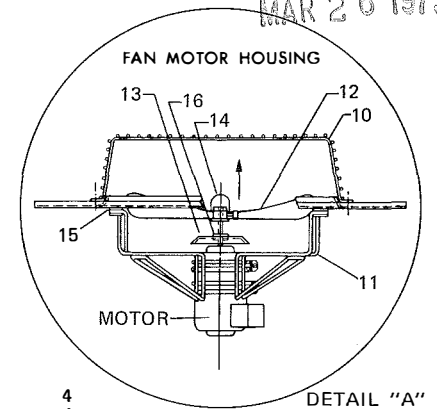


FIG. 1—MODEL LCHA25

ITEM NO.	DESCRIPTION	FIG. NO.	PART NO.
1	Panel, Side, L.H. (Rear)	1	362-94567
2	Panel, Side, R.H. (Rear)	1	362-94568
3	Panel, Side, L.H. (Front)	1	062-94570
4	Panel, Side, R.H. (Front)	1	063-28700
5	Panel, Top	1	062-94472
6	Panel, Rear	1	062-94531
7	Panel, Front	1	362-94569
8	Door, Control Box	1	366-31695
9	Leg	1	062-94516
10	Guard, Condenser Fan	Detail A	026-16522
11	Bracket, Motor Mtg., Condenser Fan	Detail A	026-17579
12	Fan, 24"	Detail A	026-15753
13	Rainshield, Cond. Fan Motor	Detail A	062-30549
14	Cap, Hub (For Condenser Fan Shaft)	Detail A	028-07364
15	Grommet, Motor Mounting, 7/32 I.D.	Detail A	028-04210
16	Grommet, Motor Shaft, 7/16 I.D.	Detail A	028-04209
17	Spring, Compr. Mtg., Pump End (Gray)	Not Shown	029-13893-001
18	Spring, Compr. Mtg., Motor End (Blue)	Not Shown	029-13893-003