

COOLER

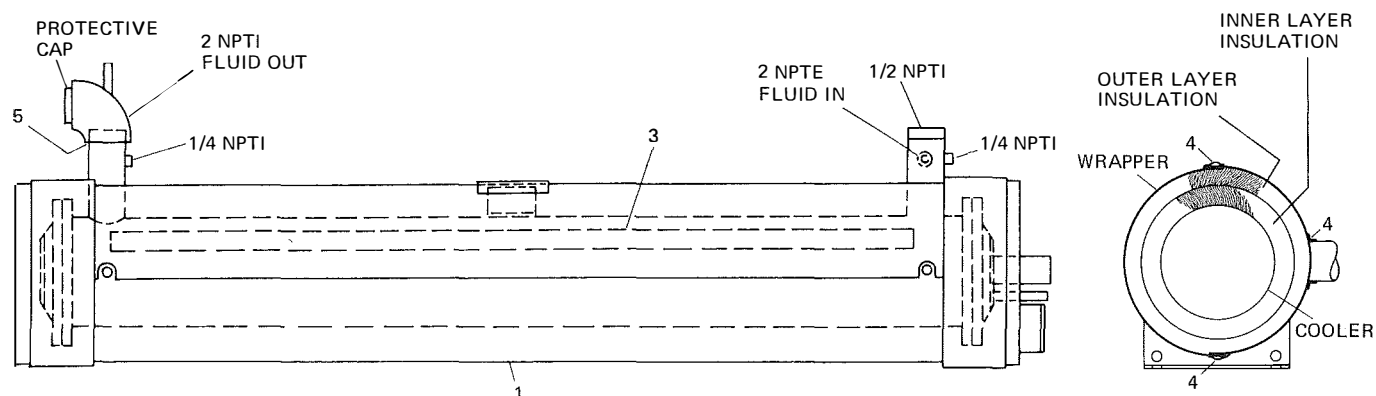


FIG. 6—COOLER

ITEM NO.	DESCRIPTION	FIG. NO.	PART NO.
1	Cooler, Complete Assembly (With Insulation and Metal Wrapper)	6	366-34686
2	Gasket, Cooler (Both Ends)	Not Shown	026-19388
3	Heater, Cooler	6	025-17897
4	Sealer, Butyl Tape	6	013-01961
5	Sealer, Lead Plastic	6	013-01370
6	Switch, Flow (FLS)	Not Shown	024-15793

ACCESSORY PARTS

ITEM NO.	DESCRIPTION	PART NO.
LOW AMBIENT KIT		
1	Control, Elect. Low Ambient Access. CA2 (Complete Kit)	362-93515
2	Coil, Choke (L)	352-12289-004
3	Control, High Pressure (Ranco)	025-15011
4	Control, High Pressure (Ranco)	025-15012
5	Thermostat, Ranco A22 2101 (2TH)	025-15013
6	Relay (2TR)	024-12045-003
GAUGE KIT		
1	Kit, Complete (Contains all items listed below)	466-46886T
2	Gauge, Discharge Pressure, 3-1/2" Dia.	026-14366
3	Gauge, Suction Pressure, 3-1/2" Dia.	026-14367
4	Gauge, Oil Pressure, 3-1/2" Dia.	026-18764
5	Valve, Stop, 2-Way (Primore 2869)	022-04302