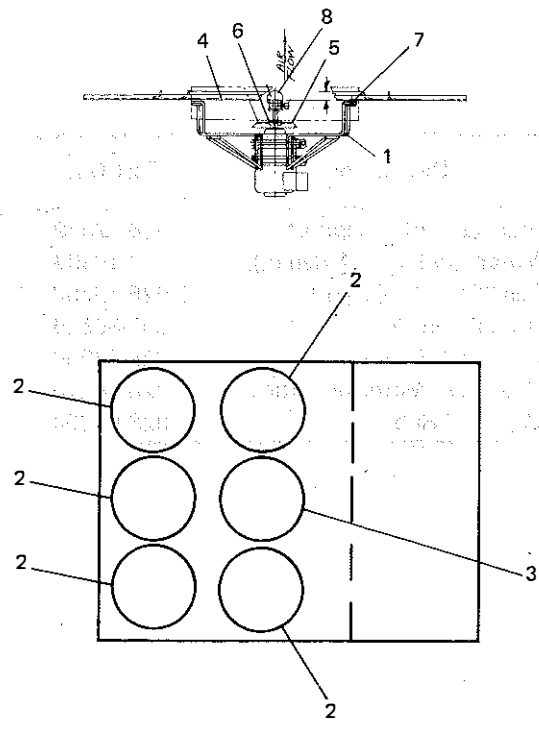


Item No.	Description	Part No.
1	Bracket, Motor Support	026-22364
2	Motor: LCHA35-17E & -28E (1-1/2 HP) LCHA35-46E (1 HP) LCHA35-58E (1 HP) LCHA35-63E (1-1/2 HP) LCHA35-50E (1 HP).	024-16999 024-15489002 024-15489003 024-16999 024-15489002
3	Motor - 1-1/2 HP	024-16999
4	Fan (30" - 4 Req'd.)	026-16106
5	Weather Shield	062-30549
6	Grommet, Motor Shaft	028-04209
7	Clamp	026-22365

FIG. 4 - FAN DECK PARTS - LCHA35



Item No.	Description	Part No.
1	Bracket, Motor Support	026-17579
2	Motor (3/4 HP)	024-16497
3	Motor: LCHA45-17E, 28E, & 63E (3/4HP) LCHA45-46E & 50E (3/4 HP) LCHA45-58E (1-1/2 HP)	024-16497 024-16498 024-16499
4	Fan (24" DIA - 6 Req'd.)	026-17571
5	Weather Shield	062-30549
6	Grommet, Motor Shaft	028-04209
7	Grommet, Motor Mounting	028-04210
8	Cap, Fan Hub	028-07364

FIG. 5 - FAN DECK PARTS - LCHA45