

FIG. 5—LCH5W-R.H. Side Panel R removed

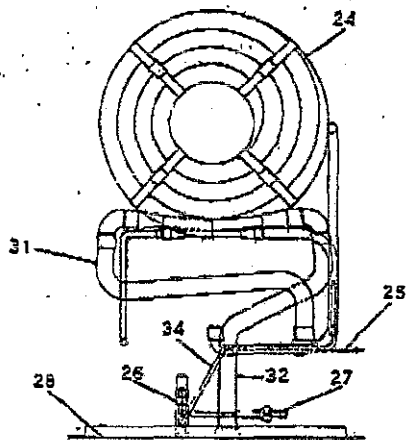


FIG. 6—Condenser Assembly - Plan View

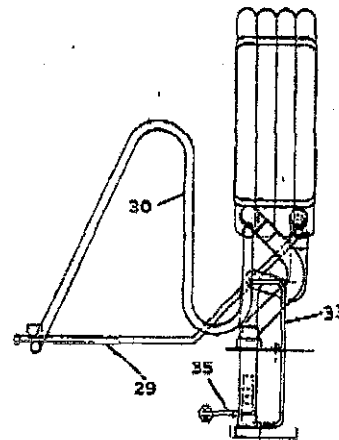


FIG. 7—Condenser Assembly -R.H. End View

\* base own - 076-09948 (ord. from CES)

Item No.	Part Description	Part No.			
		Models			
		Fig.	LCH5W-10A	Fig.	LCH5W-25A
20	Compressor	5	465-20032	5	465-20034
* 21	Condenser, W/Connections <sup>2</sup>	5	367-31152	5	367-31152
22	Compressor Isolators	5	028-02502	5	028-02502
23	Suction Connection	*	367-34420	*	367-34420
24	Condenser	6	067-31294	6	067-31294
25	Condenser Plate	6	367-30984	6	367-30984
26	Valve	6	022-01675	6	022-01675
27	Evacuation Connection	6	362-32583	6	362-32583
28	Frame Channel	6	367-30986	6	367-30986
29	Liquid Line Connection	7	067-31145	7	067-31145
30	Discharge Connection	6	067-31146	6	067-31146
31	Water Inlet Connection	6	067-31147	6	067-31147
32	Water Outlet Connection	6	067-31151	6	067-31151
33	Pressure Connection	7	067-31149	7	067-31149
34	Pressure Connection	6	067-31148	6	067-31148
35	Valve Connection	7	067-31150	7	067-31150
36	Strainer	*	367-58585	*	367-58585

\* Not Shown

Note <sup>2</sup> - This part includes Items 24 thru 35