

FIG. 4 — HC3A EVAPORATOR WITH CONNECTIONS

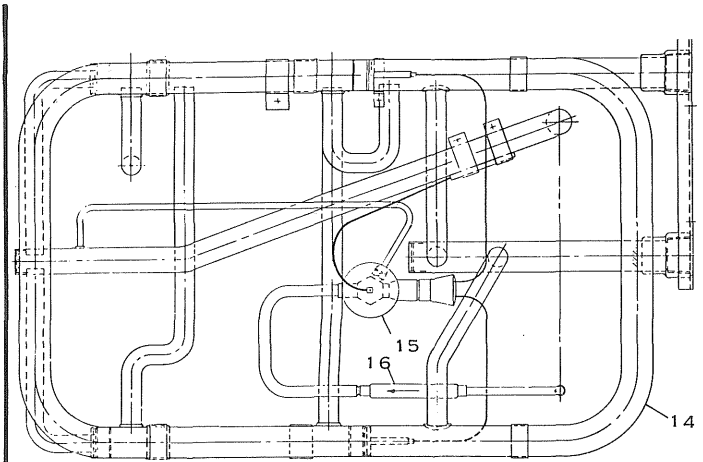


FIG. 5 — HC5A EVAPORATOR WITH CONNECTIONS

Item	Description	HC3A		HC5A	
		Quan.	Part No.	Quan.	Part No.
13	Evaporator With Conn.	1	367-33300	1	367-33937
14	Coil	1	367-30131	1	367-31200
15	Valve With Distributor	1	367-33290	1	367-33882
16	Strainer, Liquid	1	029-08068	1	029-08068

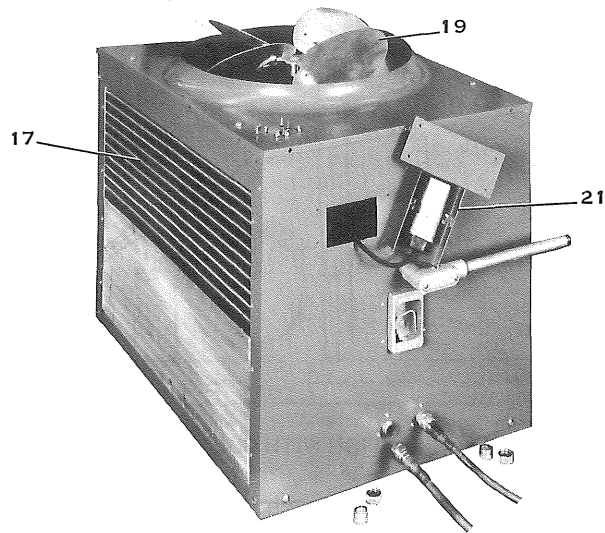


FIG. 6 — REMOTE CONDENSER UNIT

Item	Description	3RC		5RC	
		Quan.	Part No.	Quan.	Part No.
17	Coil, Condenser	2	362-44924 016	4	362-44924 017
18*	Receiver	1	362-47305	1	362-47305
19	Blade, Fan	1	026-10023	1	026-10149
20*	Motor, Fan	1	024-08686	1	024-08686
21	Capacitor, Run	1	024-10360	1	024-10360

\*Not Shown