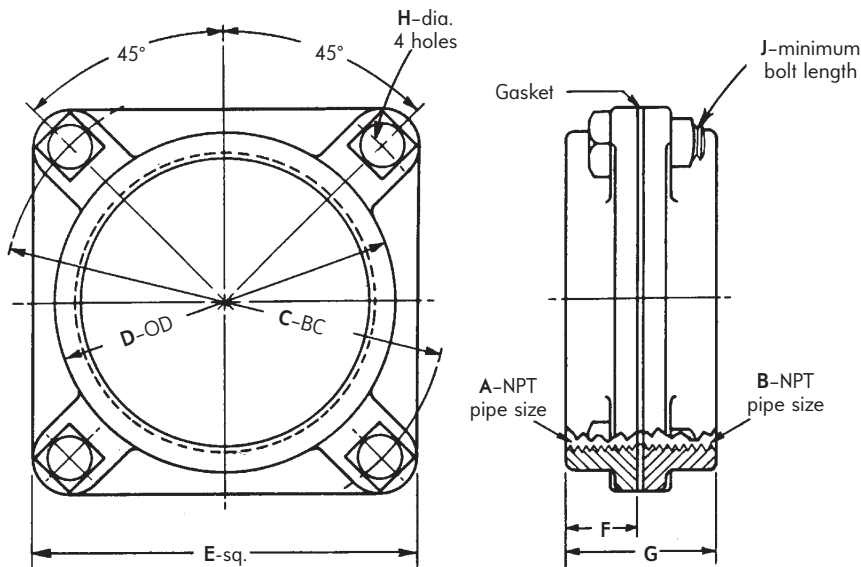


North American Flanges and Flange Unions for Low Pressure Air

Bulletin 8764/8765

Series 8764 Flange Unions consist of two 8765 four-bolt flanges with gasket, nuts, and bolts. To order a single flange, less gasket, nuts, or bolts, specify 8765.



Metric Conversions

1" = 25.40 mm
1 lb = 0.4536 kg

Union (8764-) or Flange (8765-) designation	dimensions in inches									Weight, lb	
	A	B	C	D	E	F	G (8764 only)	H	J (8764 only)	Flange Union (8764)	One Flange (8765)
-3-B	1½	1½	3¼	2½	¾	1	2¼	⅝	1⅜	2¾	1¼
-3 × 4-B	1½	2	3¼	—	¾	1	2¼	⅝	1⅜	2½	—
-4-B	2	2	3¼	2⅞	¾	1	2¼	⅝	1⅜	2¼	1
-4-C	2	2	4⅞	¾	4	⅛	2⅞	⅝	1⅜	4¼	2
-5-C	2½	2½	4⅞	3⅞	4	⅛	2⅞	1⅜	1⅝	3¾	1¾
-5 × 6-C	2½	3	4⅞	—	4	—	2⅞	1⅜	1⅝	3¾	—
-6-C	3	3	4⅞	4	4	1½	3⅞	1⅜	1⅝	3¾	1¾
-6-D	3	3	6⅞	4⅞	5½	1½	3⅞	1⅜	1⅝	8¾	4¼
-6 × 7-D	3	4	6⅞	—	5½	1½	3⅞	1⅜	1⅝	8¼	—
-7-D	4	4	6⅞	5⅞	5½	1½	3⅞	1⅜	1⅝	7¾	3¾
-8-E	6	6	9¼	8	8¼	1¾	3⅞	1⅜	2⅝	28½	11½
-9-F	8	8	12⅞	9½	10¾	1¾	3⅞	1	2⅝	40½	18½