

North American Products | Pressure Switches

Pressure switches are used with Automatic Shutoff Valves or Solenoid Valves to interrupt fuel flow in the event of fuel or air failure. They are also used with Supervising Valve Systems (Bulletin 1857) and to protect regulators and other control devices from excessive pressures.

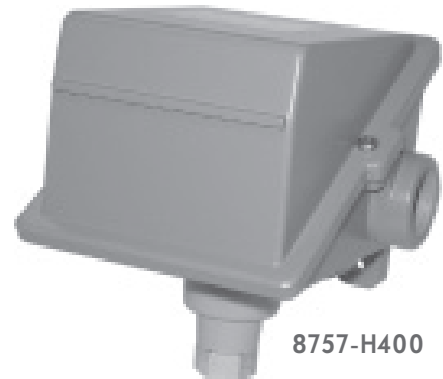
North American offers a variety of standard snap-acting pressure switches to monitor both static and differential pressures. Standard pressure switches are offered in multiple ranges and for different process fluids including air, natural gas, oil and steam. For applications requiring explosion-proof switches, oxygen service, or any other special requirement, contact North American for further information.



8757-DG



8757-xNN



8757-H400



8757-PG, -DS



8757-L404